



## Article

\*Formerly Alfred-Wegener-Institut, Bremerhaven.

**Cite this article:** Dallmayr R, Freitag J, Hörhold M, Laepple T, Lemburg J, Della-Lunga D, Wilhelms F (2020). A dual-tube sampling technique for snowpack studies. *Journal of Glaciology* 1–7. <https://doi.org/10.1017/jog.2020.85>

Received: 11 May 2020

Revised: 9 September 2020

Accepted: 10 September 2020

**Key words:**

Efficiency; isotopic composition and topography; sampling; snowpack

**Author for correspondence:**

Remi Dallmayr, E-mail: [remi.dallmayr@awi.de](mailto:remi.dallmayr@awi.de)

# A dual-tube sampling technique for snowpack studies

Remi Dallmayr<sup>1,2</sup>, Johannes Freitag<sup>1</sup> , Maria Hörhold<sup>1</sup> ,

Thomas Laepple<sup>3,4</sup> , Johannes Lemburg<sup>1</sup> , Damiano Della-Lunga<sup>1,\*</sup> 

and Frank Wilhelms<sup>1,2</sup> 

<sup>1</sup>Alfred-Wegener-Institut Helmholtz-Zentrum für Polar- und Meeresforschung, Bremerhaven, Am Handelshafen 12, 27570 Bremerhaven, Germany; <sup>2</sup>GZG Abt. Kristallographie, University of Göttingen, Göttingen, Germany;

<sup>3</sup>Alfred-Wegener-Institut Helmholtz-Zentrum für Polar- und Meeresforschung, Potsdam, Telegrafenberg A45, 14473 Potsdam, Germany and <sup>4</sup>University of Bremen, MARUM – Center for Marine Environmental Sciences and Faculty of Geosciences, 28334 Bremen, Germany

**Abstract**

The validity of any glaciological paleo proxy used to interpret climate records is based on the level of understanding of their transfer from the atmosphere into the ice sheet and their recording in the snowpack. Large spatial noise in snow properties is observed, as the wind constantly redistributes the deposited snow at the surface routed by the local topography. To increase the signal-to-noise ratio and getting a representative estimate of snow properties with respect to the high spatial variability, a large number of snow profiles is needed. However, the classical way of obtaining profiles via snow-pits is time and energy-consuming, and thus unfavourable for large surface sampling programs. In response, we present a dual-tube technique to sample the upper metre of the snowpack at a variable depth resolution with high efficiency. The developed device is robust and avoids contact with the samples by exhibiting two tubes attached alongside each other in order to (1) contain the snow core sample and (2) to access the bottom of the sample, respectively. We demonstrate the performance of the technique through two case studies in East Antarctica where we analysed the variability of water isotopes at a 100 m and 5 km spatial scales.

**Introduction**

Polar ice sheets are considered a unique paleo-climatic archive spanning up to 800 ka before present (EPICA Community Members, 2004). They are most prominently used to analyse in situ greenhouse gas concentrations (Nakazawa and others, 1993), impurities (Gfeller and others, 2014) which are used as a proxy for atmospheric transport and biogeochemical activity and stable water isotopes which are used as a proxy for temperature (Jouzel and others, 1997). However, a reliable interpretation of all analysed records is based on a profound understanding of the mechanisms involved in the transfer of climatic signals from the atmosphere into the snowpack and their modification during the exposure of surface snow to the atmosphere. Among several (post-) depositional processes the re-distribution and erosion of snow by wind hampers the consecutive burial of the topmost snow layer, introducing stratigraphic noise into the time series of any proxy record used for paleo climate reconstruction (Fisher and others, 1985). However, firn- and ice core drill campaigns usually do not recover the uppermost metre(s), as the snow is soft and fragile hampering the handling and storage of the snow cores in the same manner as ice. Hand-corers enable the drilling of the first metres, but the irregular shapes and volume of the retrieved pieces are not suitable for comparative statistical studies of the spatial distribution of paleo proxies in snow. Dedicated sampling efforts to retrieve ambiguous snow samples have therefore been conducted in the recent past. First results have shown that sampling more than one profile, for example, a row of profiles such as a trench wall, substantially improves the signal-to-noise ratio of the proxy record (Laepple and others, 2016; Münch and others, 2016). The corresponding sampling campaigns used tubes made of carbon fibre which was pushed into the snow and subsequently excavated. We will hereafter refer to the application of these tubes (100 mm diameter, 1 mm thickness and 1 m length) as the liner technique, offering sampling an exact 1 m long high-quality cylinder of preserved snow. Nevertheless, digging each full-length tube out of the snowpack is exhausting and time-consuming, and thus extending such an attempt to larger spatial scales remains a logistical challenge. In addition, the amount of snow sampled with the liner technique is adapted for firn-densification studies by means of X-ray computer tomography (Freitag and others, 2004), but the amount of snow sampled can be significantly reduced for proxy measurement sampling of the snowpack. We upgraded the liner technique to propose the following dual-tube technique (Fig. 1) that meets the following requirements: (a) is fast and effortless, (b) mechanically simple, (c) collects a minimal but representative amount of snow with an accurate and reproducible depth/sampling interval and (d) obtains 1 m of snow with separation of its subsections at each location.

After describing the newly developed device and the associated sampling procedure, we present two applications related to the isotopic composition of the snowpack in Dronning

© The Author(s), 2020. Published by Cambridge University Press. This is an Open Access article, distributed under the terms of the Creative Commons Attribution licence (<http://creativecommons.org/licenses/by/4.0/>), which permits unrestricted re-use, distribution, and reproduction in any medium, provided the original work is properly cited.

[cambridge.org/jog](http://cambridge.org/jog)



Fig. 1. Dual-tube sampler in action.

Maud Land on the East Antarctic plateau. This first small-scale study allows us to validate our device by comparing our stable water isotope variability measurements with similar results from published studies in the same area. As a second example, a 5 km transect delivers the results of a first large-scale application of the sampling device.

## Description of the technique

### Philosophy and challenges

Polar ice sheets are isolated areas with extreme conditions. In addition to the reliability and reproducibility of sampling an exact

amount of snow in a contamination-free way in such an extreme environment, the key points to a successful technique are convenience and simplicity of use, together with easy repairs. Based on this philosophy, we adapted and implemented the liner technique to a higher degree of efficiency:

- To avoid digging we attached alongside the sampling tube a second tube, where the snow is removed using a hand auger. Once emptied, the bottom of the sampling tube is accessible and a custom-designed core-cutting structure can be inserted to cut the bottom of the sample core, cover it and retrieve the core from the snowpack.
- With the aim of only collecting small sample amounts of dry snow zone, we conducted preliminary tests with different sampling tubes and determined as an optimal combination a 1 mm sharp edge with a minimum sampling diameter of 50 mm. Regarding the targeted analysis, only a fraction of the tube diameter is needed; however, using a smaller diameter would lead to compaction when pushing the tool into the dry snow. Therefore, the technique must also offer the ability of splitting the 1 m long core longitudinally before final collection of sample bags, in addition, to be able to precisely separate the subsections along the core axis.

## Description of the implemented snow-sampling device

### Sampler

We chose to use carbon fibre tubes (Carbon-Werke GmbH) as they have a low thickness/solidity ratio, are chemically inert and are lightweight. The sampler (see Fig. 2, panel A) features two tubes of 1.2 m length. One with a 50 mm diameter (hereafter referred to as the sampling tube) to contain the snow core sample and one with a 100 mm diameter (hereafter referred to as the auger tube) to insert the cutting structure. The diameter of the auger tube was chosen to fit the 90 mm diameter auger (conventional soil auger, Fig. 2, panel B). The two tubes are mounted in the body of the device at both the top of the device and at the snow surface level (e.g. the snow surface plate, Fig. 2, panel A). With

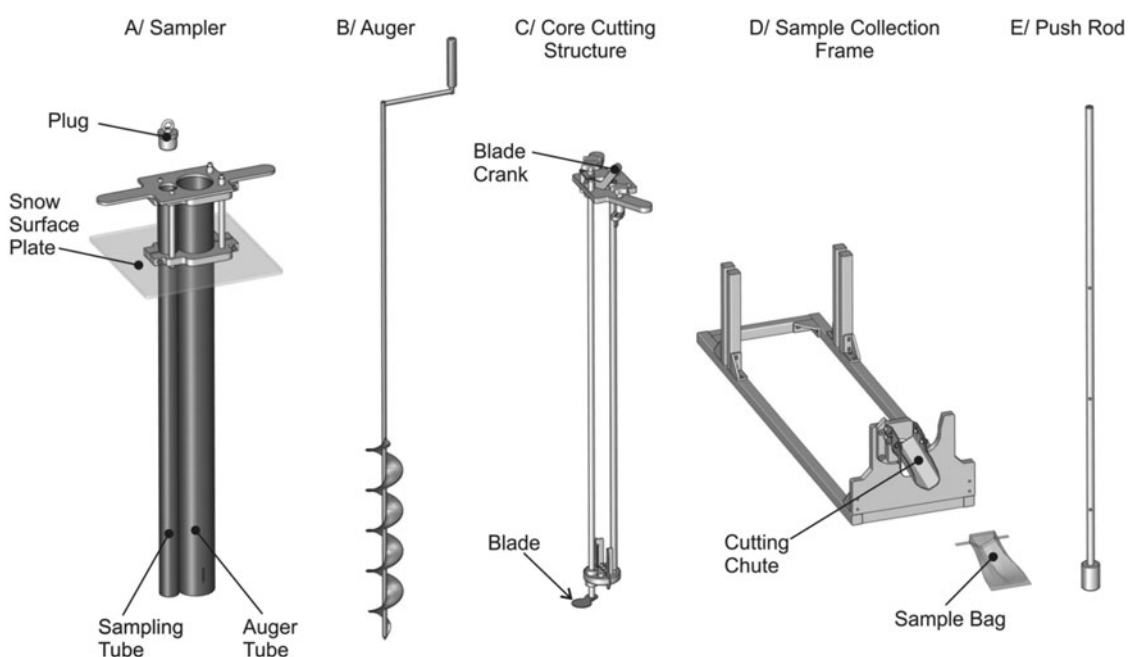


Fig. 2. All components of the sampling device in the order of use. Panel A: the core sampler body featuring handles, a snow surface plate and the two parallel tubes; panel B: the hand auger; panel C: the core cutting structure featuring the crank and blade; panel D: the sample collection frame featuring the V-shape cutting chute (with associated sampling bag); and panel E: the pushing rod, featuring 0.33 m depth intervals made for this study.

this set-up, the top 0.2 m of the tubes stays above the snow surface to maintain and ensure the vertical alongside alignment of both tubes and the remaining 1 m sits within the snowpack.

#### Core cutting structure

The cutting structure, which is as long as the tubes and designed to fit the diameter of the auger tube, features two parallel stainless steel mechanical shafts (see Fig. 2, panel C). At its top, the main shaft is connected to a 180° crank with a 50 mm diameter stainless steel circular blade at its bottom. To distribute the mechanical stress of torsion and maintain its position while cutting the snow via rotating the blade, the main shaft is connected at its top and bottom to a slightly smaller fixed rod. Finally, two fasteners to fix the structure to the sampler, in addition to a blade rotation locker.

#### Sample collection frame

A custom-built collection frame has also been developed (Fig. 2, panel D). Once the sampler is placed on the frame, the end of the sampling tube is connected to a cutting chute with a V-shaped stainless steel blade. The snow core is pushed out of the tube against the blade. At the end of the blade, sample bags can be mounted to catch the snow out of the tube. Only a fraction of the snow core is sampled into the bag, the rest falling to the ground during the splitting process. The height of the blade can be changed manually depending on the preferred amount of snow to be sampled.

#### Push rod

The stick used to push the snow core out of the tube is a 1.35 m long aluminium stick, with a 50 mm diameter and 100 mm long cylinder head. The push rod exhibits a series of holes along its length at defined intervals (0.33 m for our study) to accommodate end-stop pins if needed. Being wider than the tube, the push is paused at each pin for a precise sub-sampling of the 1 m long snow core.

#### Sampling procedure (Fig. 3)

- (1) The sampler (Fig. 2, panel A) is pushed into the snow vertically and straight, and the top of the sampling tube is covered with the plastic cap to prevent collecting surrounding snow.
- (2) The auger tube is emptied from snow (Fig. 2, panel B).
- (3) The core cutting structure (Fig. 2, panel C) is lowered into the empty auger tube until it reaches the bottom of both tubes, where it is aligned to the bolts of the sampler and locked by turning the fasteners.
- (4) The rotating blade turns below the sampling tube, cutting off the snow inside the tube from the snow below and closes the tube at the bottom. The rotating shaft is locked to disable any further motion. The whole device (tubes and cutting structure) can then be pulled out of the snow. Whereas the larger tube contains the cutter, the smaller tube is filled with the 1 m snow core that is held in place by the fixed circular blade at the bottom and covered by the cap at the top.
- (5) (a,b) The sampler is placed on the sample collection frame (Fig. 2, panel D), the cutting chute blade set for the desired amount of sample, and the desired length of snow is then pushed with the rod out of the sampling liner and into the corresponding sample bag. After each sampling interval, the filled sample bag is removed and closed, and a new sample bag is placed on the cutting chute.

Pushing the device into the snow and pulling out the 1 m core takes a few minutes. Sampling the snow into bags (three different

depth levels) takes an additional ~10 min. Altogether, collecting and then sampling the 1 m core into three subsamples takes <15 min. These timings depend on both the snow hardness and the weather conditions.

## Applications of the sampling tool

### Sampling sites and measurement methodology

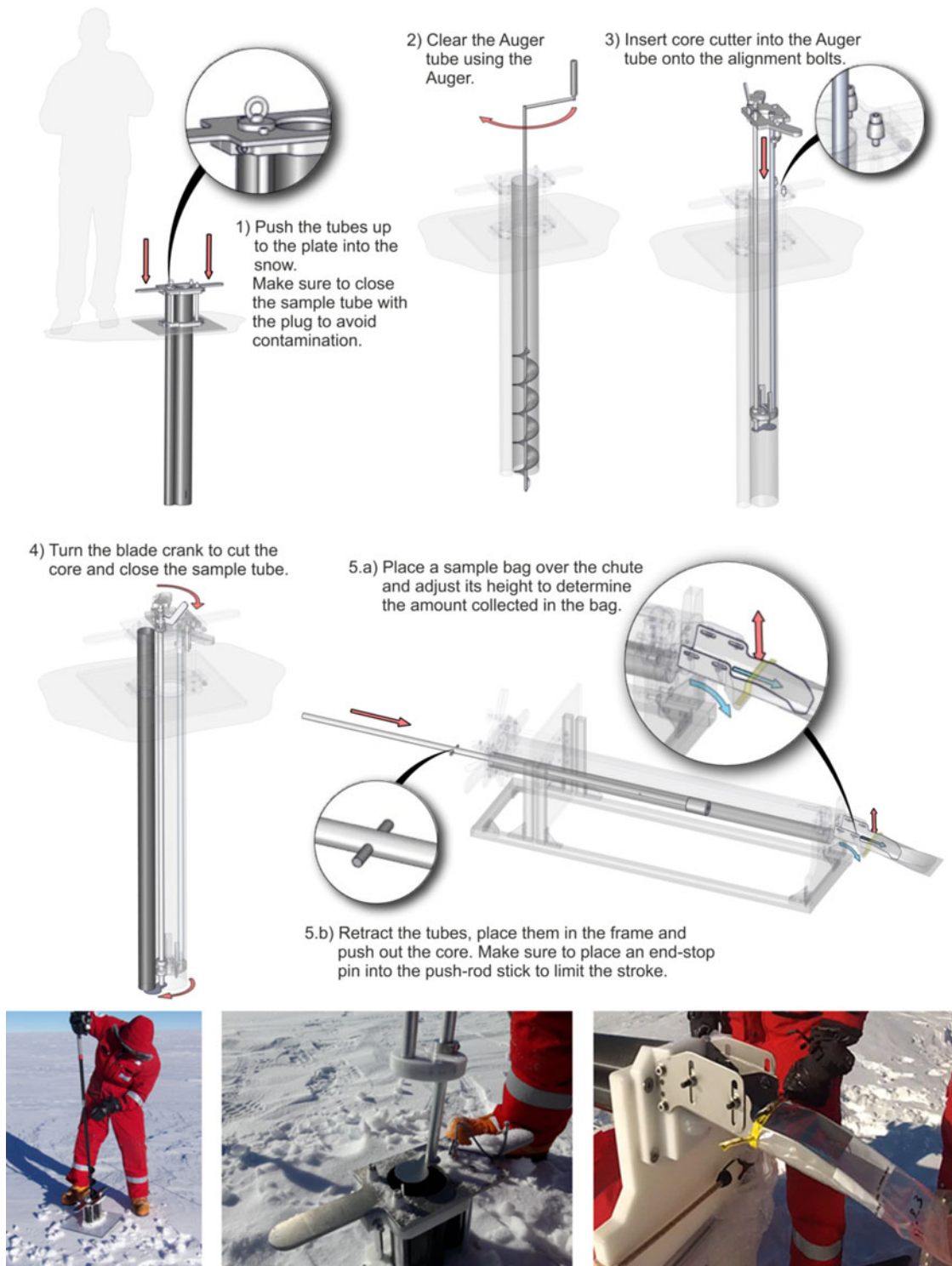
Sampling campaigns were conducted during the austral summer 2018/19 field season near Kohnen station, Antarctica. Kohnen station is situated in the Atlantic sector of the East Antarctic Plateau (75.0°S, 0.1°E, 2892 m.a.s.l.) and has an annual mean temperature of -41 °C and an annual accumulation rate of 75 mm w.e.a<sup>-1</sup> (Wesche and others, 2016). In previous years, firn cores were drilled and several snow trench studies were conducted near the station (see Fig. 4). Analysing the water isotope variations in several 50 m long and 1–3 m deep trenches, it was shown that stratigraphic noise in water isotopes (Münch and others, 2016) and density (Laepfle and others, 2016) in this region has a horizontal decorrelation scale of <10 m. However, given the limited spatial extent of the trenches, it was unclear if additional isotopic variations exist over larger spatial scales, for example, on the kilometre scale. As a first test and application of the dual-tube device, we thus performed two sampling campaigns; a series of cores along a 100 m transect with a 0.33 m depth resolution to create a dataset comparable to the existing trench studies and a 5 km long transect with a 1 m depth resolution to study the variability between the 100 m and the kilometre scales. Samples in both datasets were collected along a straight line from NW to SE (Fig. 4).

After collection, all samples were kept frozen at Kohnen station, as well as during their shipment back to the Alfred-Wegener-Institut Helmholtz-Zentrum für Polar- und Meeresforschung (AWI) in Bremerhaven, Germany, for their measurement of stable water isotopes ( $\delta^{18}\text{O}$ ,  $\delta\text{D}$ ). The stable water isotopes ratios were measured by means of cavity ring-down spectroscopy (12130-i, Picarro Inc.) and calibrated to the international VSMOW/VSLAP scale. The procedure of Schaller and others (2016) was used and single measurements are provided with an accuracy of 0.1 per mil for  $\delta^{18}\text{O}$  and 1.5 per mil for  $\delta\text{D}$ .

### Small-scale 100 m study, technique validation

We first performed a 100 m scale study to test and validate our sampling tool against previous trench data. Near the B52 drilling site (74.9327°S, 0.4313°E) nine 1 m long snow cores were taken every 10 m. In order to demonstrate and validate our sampling device, we compared the spatial variability of this dataset (hereafter ST-B52) with the four trench datasets of similar spatial scale published by Münch and others (2017). For both  $\delta^{18}\text{O}$  and  $\delta\text{D}$  isotopes, all datasets were averaged over a 1 m depth interval and we calculated each spatial standard deviation (SD) added to its 90% confidence intervals to ensure unbiased estimation of each variability (Bonett, 2006; Pishro-Nik, 2014, section 8.3.3). The results (Table 1) show considerable variations in the mean values of the different 1 m samples, thus demonstrating the role of stratigraphic noise even on large samples. The resulting  $\delta^{18}\text{O}$  variability (SD = 0.7‰, 90% CI 0.5‰–1.1‰) from the new samples is fully consistent with the earlier trench studies undertaken in the same region.

Our dataset further allows an investigation into the number of profiles needed to obtain a robust estimate for the mean isotopic value of the area. Assuming independent samples, the standard



**Fig. 3.** Top: schematic of the sampling procedure. Bottom: photos corresponding to steps (2), (3), (5).

error of the mean is defined as:

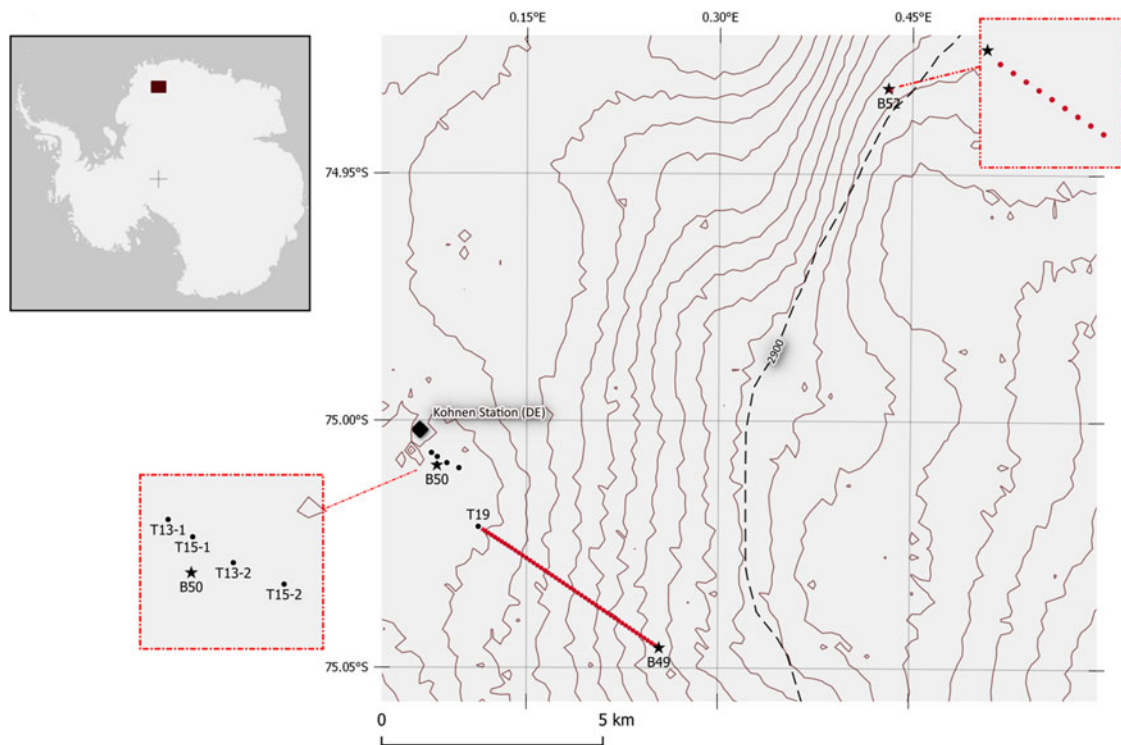
$$\text{Standard error of the mean} = \frac{\sigma_0}{\sqrt{N}} \quad (1)$$

where  $\sigma_0$  is the standard deviation of the area observed and  $N$  is the number of samples included. In our case, the 10 m distance is beyond the decorrelation length of the stratigraphic noise and thus we can assume independence. The required number of profiles depends on the sampling depth and the required accuracy (Fig. 5). For example, to obtain an accuracy (1SD) of 0.28 ‰

for  $\delta^{18}\text{O}$ , six 1 m profiles would have to be stacked. Obtaining the same 1SD level of accuracy for  $\delta^{18}\text{O}$  by sampling only the first 0.67 m requires 15 samples or 21 samples for only the first 0.33 m. The results thus confirm the intuitive result that longer and thus larger snow samples result in less variability.

#### *Kilometre scale study*

To study the isotopic variability on the hundred metre to kilometre scale, we performed a sampling transect from trench T19 until the firn core drilling site B49 (Fig. 4, 75.04600° S,

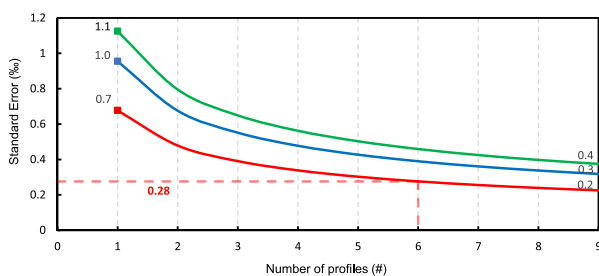


**Fig. 4.** Study area around Kohnen station, Dronning Maud Land. The 1 m elevation lines show the local topography of the area (The Reference Elevation Model of Antarctica, Howat et al., 2019, hereafter REMA). The sampling sites are indicated with red dots for both the 5 km long transect and the transect near the B52 drilling site (top-right detailed overview). Trenches T13-1 and T13-2 were excavated during the 2012/13 season and trenches T15-1 and T15-2 were excavated during the 2014/15 season (Münch and others 2017) and are shown in the bottom-left overview. The firn core drilling sites are marked by black stars.

**Table 1.** Comparison of variability on the 100 m scale observed with the sampling tool and published trench records (Münch and others, 2017)

Dataset	ST-B52 (this study)	T13-1	T13-2	T15-1	T15-2
Number of profiles	9	38	4	11	11
Profile distance (m)	10	~0.1–2.5	10, 20	5	5
SD $\delta^{18}\text{O}$ , 90% (CI)	0.7 (0.5–1.1)	0.8 (0.7–1.0)	0.6 (0.4–1.4)	1.0 (0.8–1.6)	1.0 (0.8–1.6)
SD $\delta\text{D}$ , 90% (CI)	5.4 (3.9–8.8)	6.3 (5.3–7.8)	4.2 (2.7–10.0)	8.3 (6.2–12.8)	7.6 (5.7–11.8)

For all datasets, the number of profiles included and their adjacent sampling distance are indicated ( $\delta^{18}\text{O}$ ,  $\delta\text{D}$ ). The standard deviations (SD) and their 90% confidence interval (CI) were calculated using the chi-squared distribution and are expressed in per mil (‰).



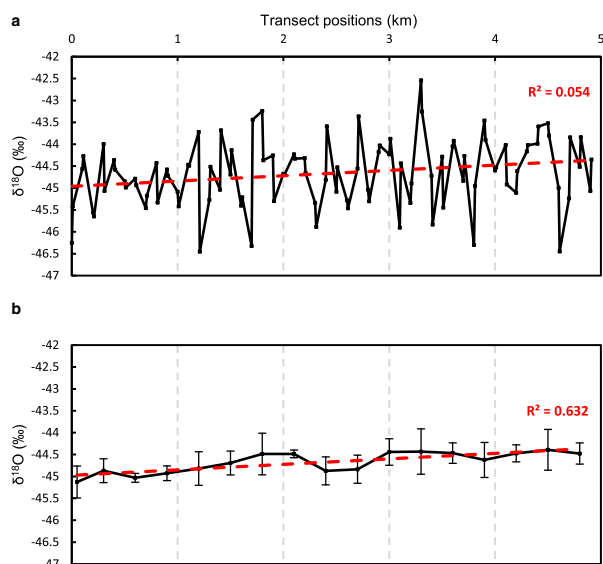
**Fig. 5.** Standard error of the mean for the top 0.33 m (green line), top 0.67 m (blue line) and top 1.0 m (red line) of the snowpack versus the number of profiles used (N) for  $\delta^{18}\text{O}$ . For each section of the top meter, the initial and final standard errors values are displayed.

0.25396° E). During this study, two 1 m long snow cores were taken 10 m apart from each other, every 100 m. The REMA high-resolution elevation model reveals a net elevation difference of 8 m between the two sites, 5 km apart. Furthermore, comparing the snow depth of volcanic signals in two firn cores B50 (close to Kohnen) and B49 revealed a 10–15% difference in the accumulation rate (Master thesis Alexandra Zuhr, table 4.3, not published) between the two sites.

The sampling transect revealed a small but statistically significant ( $p < 0.05$ ) trend from trench T19 to site B49 with an increase in the isotopic composition of  $\sim +0.5$  ‰ for  $\delta^{18}\text{O}$  (i.e. trend of  $+0.1$  ‰  $\text{km}^{-1}$ ) when increasing elevation and decreasing accumulation rate (Fig. 6a). As expected from the small-scale variability observed in the 100 m sampling study, this trend is overlaid by strong sample-to-sample variation. We thus average over multiple samples to reduce this stratigraphic noise. Indeed, when averaging over six samples, on a 300 m scale (Fig. 6b) the noise is reduced and reveals a stronger linear trend in  $\delta^{18}\text{O}$  ( $R^2 = 0.632$ ), supporting this correlation.

**Discussion**

We present a new device that allows for fast and highly efficient sampling of the snow surface with a well-defined depth assignment while minimizing possible contamination. We further present two applications studying the variability of water isotopes on different spatial scales. They demonstrate that our device not only allows for the study of stratigraphic noise at the local (metre) scale but also the investigation of the interplay among local topography, changes in elevation and accumulation at the kilometre scale. Initial results of the kilometre scale study indicate that both increasing elevation and decreasing accumulation may



**Fig. 6.** Evolution of the  $\delta^{18}\text{O}$  isotopic composition in the top meter of the snowpack along the 5 km transect. The black points show (a) the raw data of the transect (two profiles every 100 m) and (b) the 300 m averaged results, with error bars representing one standard error of the spatial averaging. The best linear fit is shown as a dashed red line.

lead to an enrichment in stable water isotopic composition, confirming specific effects of local post-depositional alteration of the initial isotopic composition of the snow (Ekaykin and others, 2002, 2016).

The presented device performed very well in the first field application in Antarctica; however, experience gained during the field season also suggest limitations and possible technical improvements.

- The 1 mm wall thickness of the tubes appears to limit the smoothness of pushing down the sampler into the snowpack when hard layers are encountered. Consequently, the effectivity of the device depends highly on the snow condition. Moreover, during the field season, several auger tubes were destroyed due to the repeated use of the auger. To improve this issue, we propose the use of thinner tubes ( $\leq 0.5$  mm wall thickness) made of stainless steel; to compensate for the recognizable addition of weight we suggest using a 50 mm diameter hand auger (Kovacs Ice Drilling Equipment) to greatly reduce the diameter of the auger tube.
- Pushing the core out of the sampling tube compresses the snow core, which is problematic when sampling is conducted at a high resolution. We also observed that the tubes absorb incoming solar radiation, leading to a melting and refreezing of the snow core inside, which worsens the snow compression, as it takes more force to push the core out. Using a larger sampling tube combined with shadowing from direct sunlight will improve the issue.
- Modifying the sampler and allow for exchanging the sampling tube in a quick-connect way will permit to ship full tubes to laboratories for detailed analysis. Larger sampling tubes (e.g. 100 mm diameter) would ease firn-densification process studies (Freitag and others, 2013). However, using a sampling tube of such size requires an auger tube with a minimum diameter of 100 mm. In this case, to optimize the total weight of the device, a carbon fibre sampling tube can be combined with a stainless steel auger tube.
- The sampling technique can be extended down to a depth of 2 m simply by adapting the length of the different components. However, sampling further down (e.g. 4–5 m deep) without changing the approach requires the device to be

extendable, for example, through several 1 m extensions of the sampler, the core cutting structure and the auger. After each depth increment, the next extension is added with a quick and solid connection system, such as bayonet couplings. Ensuring a straight vertical alignment for sampling can be fostered by implementing a spirit level on the device's plate. Finally, a winch-system at the surface could ease both the removal of deep snow out of auger tube and the core extraction out of the snowpack.

## Conclusion

We presented a new dual-tube sampling technique that allows for efficient sampling of the topmost metre of the snowpack with a variable depth resolution. In addition to demonstrating the device's merit in characterizing stratigraphic noise on the sub 100 m spatial scale, we successfully applied the described technique to document the potential effect of local topography on water isotopic composition. The present work focused on the composition of stable water isotopes, but the sampling device exhibits the advantage of noncontact sampling, which is essential for contamination-prone chemical investigations. Adding extension units to our new device in order to sample the snowpack down to 5 m will possibly replace the excavation of trenches, thus avoiding excavation machines and their exhaust fumes. Thus, this new sampling technique is ideal for extensive sampling missions such as surface traverses and will actively benefit the glaciological community through the provision of laterally highly resolved profiles with many sample positions to improve the quality of snowpack characterization. Initially designed for climatological purposes on the East Antarctica plateau snowpack, this technique can be adapted to a variety of snowpack research.

**Data.** The isotopic datasets of the both small and kilometre scale transects presented in this study are archived at the PANGAEA database, under <https://doi.pangaea.de/10.1594/PANGAEA.921928> and <https://doi.pangaea.de/10.1594/PANGAEA.921930>, respectively. PANGAEA is hosted by the Alfred Wegener Institute Helmholtz Centre for Polar and Marine Research (AWI), Bremerhaven, and the Center for Marine Environmental Sciences (MARUM), Bremen, Germany.

The technical drawings of all the components of the dual-tube sampling device and their assembly are available at the digital library Zenodo, under <https://doi.org/10.5281/zenodo.4001469>.

**Acknowledgements.** We thank all the scientists, technicians and logistic support who worked at Kohnen station during the austral 2018/19 summer, especially Klaus Trimborn for his resourcefulness, warm company and skilfulness. We also thank Jan Tell for initial investigations addressing the optimal tube combination. In the name of Matthias Littmann, we gratefully acknowledge the AWI-workshop for the successful realization of the complete sampling device. We further thank Melanie Behrens and York Schломann for conducting the isotopic measurements in Bremerhaven. This project was supported by Helmholtz funding through the Polar Regions and Coasts in the Changing Earth System (PACES) programme of the Alfred Wegener Institute. TL was supported by the European Research Council (ERC) under the European Union's Horizon 2020 Research and Innovation Programme (grant agreement no. 716092). We gratefully acknowledge the work of three anonymous reviewers and the editor, Alec Van Herwijnen.

**Author contributions.** JF actively contributed to this work by participating in the design of the technique, the fieldwork, regularly discussed preliminary results and provided guidance to the first author. In addition to motivating and enabling the device development, TL suggested relevant insights, comments and statistical calculus for this manuscript. Via AWI's technical services, JL contributed to the device realization and provided the technical illustrations for the manuscript. MH participated during different stages of the study (philosophy, fieldwork, paper preparation). DDL helped with sampling the presented datasets. FW contributed to the results and discussion sections and edited the language of the paper. RD designed and coordinated the realization

of the sampling device, led its use in the field, analysed the results and prepared this manuscript. The manuscript has been reviewed by all co-authors.

## References

- Bonett D** (2006) Approximate confidence interval for standard deviation of nonnormal distributions. *Computational Statistics & Data Analysis* **50**(3), 775–782. doi:[10.1016/j.csda.2004.10.003](https://doi.org/10.1016/j.csda.2004.10.003)
- Ekaykin A and 6 others** (2016) Non-climatic signal in ice core records: lessons from Antarctic megadunes. *The Cryosphere* **10**, 1217–1227 doi: [10.5194/tc-10-1217-2016](https://doi.org/10.5194/tc-10-1217-2016).
- Ekaykin A, Lipenkov V, Barkov N, Petit J and Masson-Delmotte V** (2002) Spatial and temporal variability in isotope composition of recent snow in the vicinity of Vostok station, Antarctica: implications for ice-core record interpretation. *Annals of Glaciology* **35**, 181–186. doi:[10.3189/172756402781816726](https://doi.org/10.3189/172756402781816726)
- EPICA Community Members** (2004) Eight glacial cycles from an Antarctic ice core. *Nature* **429**(6992), 623–628. doi:[10.1038/nature02599](https://doi.org/10.1038/nature02599)
- Fisher D, Reeh N and Clausen H** (1985) Stratigraphic noise in time series derived from ice cores. *Annals of Glaciology* **7**, 76–83. doi:[10.3189/S0260305500005942](https://doi.org/10.3189/S0260305500005942)
- Freitag J, Kipfstuhl S, Laepple T and Wilhelms F** (2013) Impurity-controlled densification: a new model for stratified polar firn. *Journal of Glaciology* **59** (218), 1163–1169. doi:[10.3189/2013JG13J042](https://doi.org/10.3189/2013JG13J042)
- Freitag J, Wilhelms F and Kipfstuhl S** (2004) Microstructure-dependent densification of polar firn derived from X-ray microtomography. *Journal of Glaciology* **50**(169), 243–250. doi:[10.3189/172756504781830123](https://doi.org/10.3189/172756504781830123)
- Gfeller G and 5 others** (2014) Representativeness and seasonality of major ion records derived from NEEM firn cores. *The Cryosphere* **8**(5), 1855–1870. doi:[10.5194/tc-8-1855-2014](https://doi.org/10.5194/tc-8-1855-2014)
- Howat IM, Porter C, Smith BE, Noh MJ and Morin P** (2019) The reference elevation model of Antarctica. *The Cryosphere* **13**, 665–674. doi:[10.5194/tc-13-665-2019](https://doi.org/10.5194/tc-13-665-2019)
- Jouzel J and 12 others** (1997) Validity of the temperature reconstruction from water isotopes in ice cores. *Journal of Geophysical Research* **102**(C12), 471–487 doi: [10.1029/97JC01283](https://doi.org/10.1029/97JC01283).
- Laepple T and 5 others** (2016) Layering of surface snow and firn at Kohonen station, Antarctica: noise or seasonal signal? *Journal of Geophysical Research* **121**(10), 1849–1860. doi:[10.1002/2016JF003919](https://doi.org/10.1002/2016JF003919)
- Münch T, Kipfstuhl S, Freitag J, Meyer H and Laepple T** (2016) Regional climate signal vs. Local noise: a two-dimensional view of water isotopes in Antarctic firn at Kohonen station, Dronning Maud Land. *Climate of the Past* **12**, 1565–1581. doi:[10.5194/cp-12-1565-2016](https://doi.org/10.5194/cp-12-1565-2016)
- Münch T, Kipfstuhl S, Freitag J, Meyer H and Laepple T** (2017) Constraints on post-depositional isotope modifications in East Antarctic firn from analysing temporal changes of isotope profiles. *The Cryosphere* **11**, 2175–2188. doi:[10.5194/tc-11-2175-2017](https://doi.org/10.5194/tc-11-2175-2017)
- Nakazawa T and 6 others** (1993) Measurements of CO<sub>2</sub> and CH<sub>4</sub> concentrations in air in a polar ice core. *Journal of Glaciology* **39**(132), 209–215 doi:[10.3189/S0022143000015860](https://doi.org/10.3189/S0022143000015860).
- Pishro-Nik H** (2014) Introduction to probability, statistics, and random processes, available at <https://www.probabilitycourse.com>, Kappa Research LLC, 2014.
- Schaller CF and 5 others** (2016) A representative density profile of the North Greenland snowpack. *The Cryosphere* **10**(5), 1991–2002. doi:[10.5194/tc-10-1991-2016](https://doi.org/10.5194/tc-10-1991-2016)
- Wesche C and 6 others** (2016) Neumayer III and Kohonen station in Antarctica operated by the Alfred Wegener Institute. *Journal of Large-Scale Research Facilities JLSRF* **2**(0), 85 doi: [10.17815/jlsrf-2-152](https://doi.org/10.17815/jlsrf-2-152).