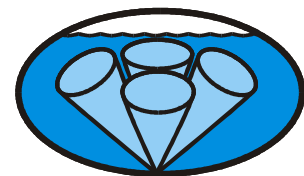


WorkHorse Sentinel ADCP User's Guide



P/N 957-6163-00 (January 2001)



RD Instruments
Acoustic Doppler Solutions

Table of Contents

1	Introduction	1
2	WorkHorse Sentinel ADCP Applications	2
3	System Overview	4
3.1	Sentinel ADCP Overview	4
3.2	I/O Cable Overview.....	6
3.3	Battery Pack Overview.....	7
3.4	Flash Memory Card Overview.....	8
3.5	Spare Parts	8
4	WorkHorse Care	9
4.1	General Handling Guidelines	9
4.2	Assembly Guidelines	9
4.3	Deployment Guidelines.....	10
5	Setup the WorkHorse Sentinel ADCP	11
5.1	Serial Communication.....	11
5.2	What if the WorkHorse Does Not Respond.....	12
6	Software	12
6.1	System Requirements.....	13
6.2	Software Installation.....	13
6.3	Utility Software	13
6.4	WorkHorse Software Philosophy	15
6.5	File Naming Conventions	15
7	Batteries and Power	16
7.1	AC Adapter	16
7.2	Alkaline Battery Pack Capacity	16
7.3	External Battery Pack	16
7.4	Reusing Alkaline Batteries	17
7.5	Bench-Top Battery Power Requirements.....	18
7.6	Operation Modes	18
8	Testing Your WorkHorse	18
9	Compass Calibration	20
9.1	Preparing for Calibration	20
9.2	Compass Calibration Verification	20
9.3	Compass Calibration Procedure	21
10	Internal Pressure Sensor	23
10.1	Pressure Sensor Maintenance.....	23
11	Deployment Guide	24
11.1	Deployment Checklist	24
11.2	Prepare the ADCP for Deployment.....	26
11.3	Use the Deployment Wizard	27
11.3.1	Plan the Deployment.....	28
11.3.2	Set the ADCP's Clock	29
11.3.3	Verify the Compass.....	30
11.3.4	Run the Pre-Deployment Tests.....	31
11.3.5	Send the Commands	32
11.4	Deploy and Recover the ADCP.....	33
11.5	Recover the Data	34
11.6	Verify and View the Data	35
11.7	Erase the Recorder.....	36
12	Backing Up Data	36

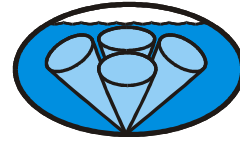
13	Reviewing the Data	37
13.1	'Where' was the Data?	37
13.2	'When' was the Data?	37
13.3	'What' is the Data?	37
14	A Few Principles of Operation	38
15	Technical Support	39

List of Figures

Figure 1.	Sentinel ADCP Overview	5
Figure 2.	Connecting and Disconnecting the I/O Cable	6
Figure 3.	I/O Cable Overview	6
Figure 4.	Battery Pack Overview	7
Figure 5.	Memory Card Overview.....	8
Figure 6.	WorkHorse Sentinel Connections.....	11
Figure 7.	External Battery Pack Connection.....	17
Figure 8.	Compass Alignment	22
Figure 9.	Visual Inspection before Deployment	25
Figure 10.	Prepare the ADCP	26
Figure 11.	Using the Deployment Wizard	27
Figure 12.	Plan the Deployment.....	28
Figure 13.	Deployment Wizard – Setting the Clock	29
Figure 14.	Deployment Wizard – Compass Verification.....	30
Figure 15.	Deployment Wizard – Test the ADCP.....	31
Figure 16.	Deployment Wizard – Send the Commands.....	32
Figure 17.	Deploy and Recover the ADCP	33
Figure 18.	Recover the Data	34
Figure 19.	Verify and View the Data	35
Figure 20.	Erase the Recorder	36

List of Tables

Table 1:	WorkHorse Self-Contained Application Guide	2
Table 2:	WorkHorse Real-Time Application Guide	3
Table 3:	WorkHorse Special Applications	3
Table 4:	Spare Parts	8
Table 5:	WorkHorse Software	12
Table 6:	WorkHorse DOS Utility Software	14
Table 7:	WorkHorse ADCP Tests	19



RD Instruments
Acoustic Doppler Solutions

WorkHorse Sentinel User's Guide

1 Introduction

Thank you for purchasing the RD Instruments (RDI) WorkHorse. This guide is designed to help first time WorkHorse users to set up, test, and deploy their ADCP.

This guide is designed for use *with* the other WorkHorse Technical Manual books. Where needed, there are references to detailed information and figures contained in the WorkHorse Technical Manual.

WorkHorse Sentinel deployments are most often Self-Contained but can be Real-Time. Typically, deployments are considered to be Self-Contained when the ADCP is remotely deployed and powered using internal batteries. In this configuration, no external connections to the ADCP are made during the deployment. However, the ADCP can be connected to external power. This power can be provide either by an external battery case or from shore. This type of deployment is still considered Self-Contained, but this quick reference guide may not consider all of the possibilities of this application.

Real-Time use refers to the fact you are viewing the data as the ADCP collects it via a personal computer. This data is also stored on the computer to allow for data playback and processing at a later time.



NOTE. When you receive your WorkHorse, look for a set up card that shows all of the pieces you should have in your box. If anything is missing or damaged, contact RDI immediately.

2 WorkHorse Sentinel ADCP Applications

The WorkHorse Sentinel ADCP is designed so that it can be used as a fully self-contained system. This means that it contains its own battery for power and internal recorder for the storage of all data that you have set it up to collect. Using the internal battery and recorder, the WorkHorse Sentinel can be used for several-month autonomous current profile deployments from temporary or permanent mountings in the ocean, near-shore, harbors, and lakes.

WinSC is the software package for self-contained ADCP setup, data collection, and data review. For detailed information on how to use *WinSC*, see the *WinSC User's Guide*. *Plan* (part of *WinSC*) lets you enter known or “best-guess” values for the various ADCP profiling parameters and shows predictions of expected results. For detailed information on how to use *Plan*, see the *WinSC User's Guide*.

Table 1: WorkHorse Self-Contained Application Guide

Application	Blue Water	Costal and Continental Shelf
Autonomous deployment	Sentinel using WinSC <ul style="list-style-type: none"> • Oceanography • Energy transport • Environmental monitoring • Engineering stress determination • Circulation/model studies • Boundary layer studies 	Sentinel using WinSC <ul style="list-style-type: none"> • Environmental monitoring • Costal engineering • Enabling safe movement • Measuring Power plant discharge • Protecting coastal land forms • Detecting sewer outfall • Monitoring sensitive environments • Planning new ports
Lowered	Sentinel using WinSC <ul style="list-style-type: none"> • Deep water oceanography 	


The WorkHorse Sentinel ADCP is also able to be used in real time applications that either take advantage of the internal battery power, or external battery power, and can be used to collect data internally as well as externally. When considering real time applications, RDI offers you choices in software packages that are intended to directly meet your needs. *VmDas* is the most often used software package for ADCP setup, real-time data collection, and data review. For detailed information on how to use *VmDas*, see the [VmDas User's Guide](#).

Table 2: WorkHorse Real-Time Application Guide

Application	Blue Water	Costal and Continental Shelf
Real-Time deployment	Sentinel using VmDas <ul style="list-style-type: none"> • Oil production platforms • Current mapping 	Sentinel using VmDas <ul style="list-style-type: none"> • Port and harbor monitoring • Water quality studies
Boat Mount (portable)	Sentinel using VmDas <ul style="list-style-type: none"> • Oceanography • Boundary layer studies • Fisheries • Plankton biomass 	Sentinel using VmDas <ul style="list-style-type: none"> • Plume tracking • Environmental surveys • Planning new ports • Current mapping
Towed	Sentinel using VmDas <ul style="list-style-type: none"> • Towed fish positioning • Boundary layer studies • Circulation/model studies 	Sentinel using VmDas <ul style="list-style-type: none"> • Towed fish positioning • Water quality studies
Offshore oil and gas	Sentinel using VmDas <ul style="list-style-type: none"> • Seismic prospecting • Exploration drilling • Field development • Production 	

Table 3: WorkHorse Special Applications

Sentinel using WinRiver	Sentinel using Waves
<ul style="list-style-type: none"> • River, stream and channel discharge • Suspended sediment load estimation • Plume tracking • Bridge scouring • Simultaneous bathymetry discharge, flow structure 	<ul style="list-style-type: none"> • Coastal protection and engineering • Port design and operation • Environmental monitoring • Shipping safety

 **NOTE.** For information on how to use a Sentinel in river discharge measurements, see the *WinRiver* User's Guide. For information on how to use a Sentinel to monitor waves, see the *Waves* User's Guide.

3 System Overview

The Sentinel ADCP system consists of an ADCP, cables, battery pack, flash memory card, and software. Both battery capacity and memory can be increased with upgrades for longer deployments. The Sentinel can also be used for direct-reading current profile operation. They only require the addition of a Windows® compatible computer to configure the ADCP and replay collected data.

3.1 Sentinel ADCP Overview

The transducer assembly contains the transducer ceramics and electronics. Standard acoustic frequencies are 300, 600, and 1200kHz. See the outline drawings in the [WorkHorse Installation Guide](#) for dimensions and weights.

I/O Cable Connector – Input/Output (I/O) cable connects the WorkHorse ADCP to the computer.

Beam-3 Mark – The Beam-3 mark shows the location of Beam-3 (Forward).

Urethane Face – The urethane face covers the transducer ceramics. Never set the transducer on a hard surface. The urethane face may be damaged.

Housing – The standard WorkHorse housing allows deployment depths to 200 meters.

Thermistor – The Thermistor measures the water temperature.

Pressure Sensor – The Optional pressure sensor measures water pressure (depth).

Transducer Head – The WorkHorse electronics and transducer ceramics are mounted to the transducer head. The numbers embossed on the edge of the transducer indicates the beam number. When assembling the unit, match the transducer beam number with the Beam 3 mark on the end-cap.

End-Cap – The end-cap holds the I/O cable connector. When assembling the unit, match the Beam 3 mark on the end-cap with beam 3 number on the transducer.

Internal Battery Pack – The internal battery pack has 400 watt-hours (Wh) of usable energy at 0 C. When fresh, the voltage is +42 VDC. When depleted, the voltage drops to 30 VDC or less.

Flash Memory Card – Flash memory cards are available in 16, 20, 40, 85 and 220-MB cards. The standard configuration is one 16MB card.

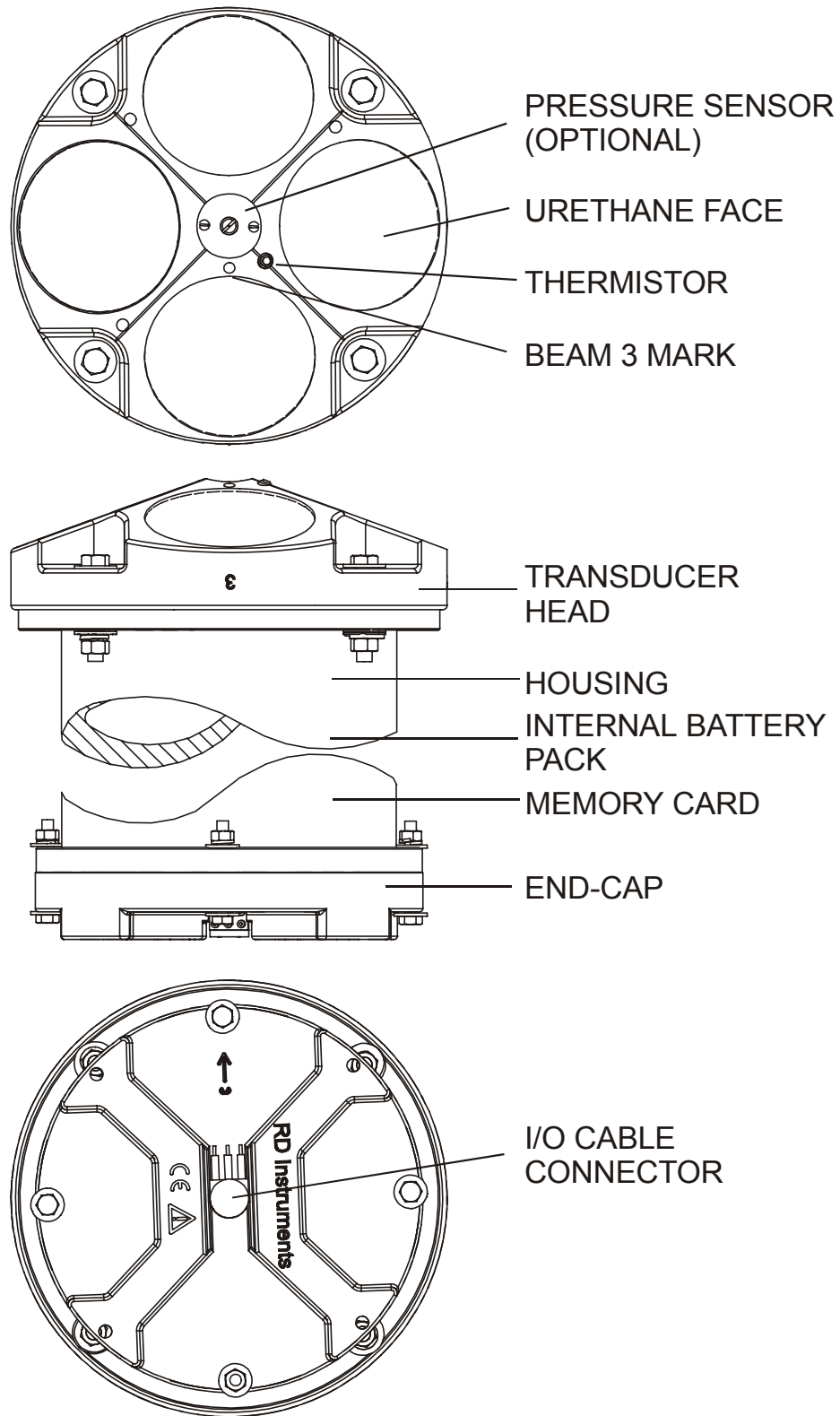


Figure 1. Sentinel ADCP Overview

3.2 I/O Cable Overview

Always remove the retaining strap on the end-cap underwater-connect cable and dummy plug when disconnecting them. **Failure to do so will break the retainer strap.**

Do not apply any upward force on the end-cap connector as the I/O cable is being disconnected. **Stressing the end-cap connector may cause the ADCP to flood.** Read the [Maintenance guide](#) for details on disconnecting the I/O cable.

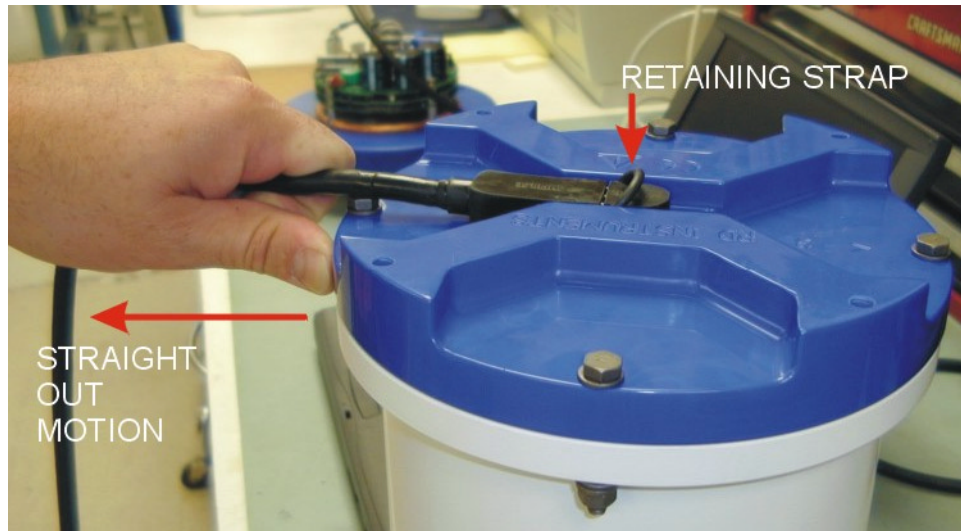


Figure 2. Connecting and Disconnecting the I/O Cable

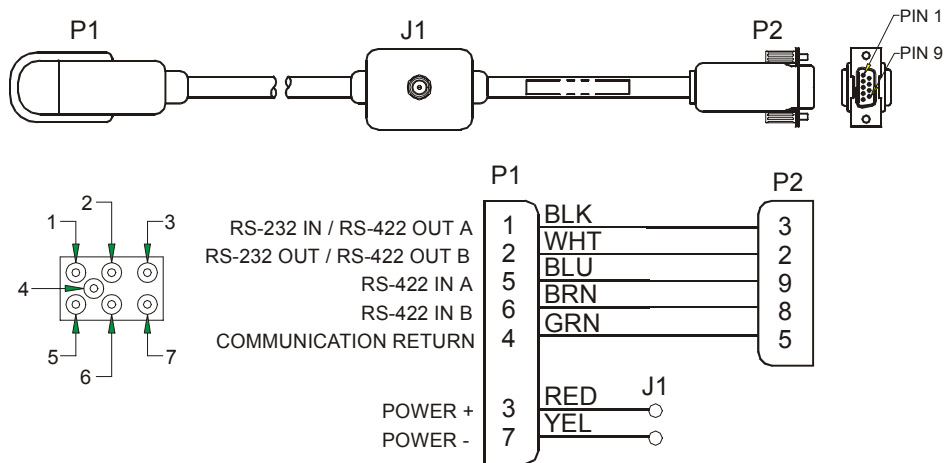


Figure 3. I/O Cable Overview

3.3 Battery Pack Overview

WorkHorse Sentinel ADCPs require +20 to 60 VDC to operate. The standard AC Adapter runs on any standard AC power and supplies +24 VDC to run the Workhorse when the batteries are not connected.

If both the battery (either Sentinel internal batteries or the External Battery Pack) and power supply are connected, the Workhorse will select the *highest* voltage source for use. The batteries (when fresh) supply +42 VDC and the power supply output is +24 VDC. The Workhorse will draw all power from the battery if the battery voltage is above +24 VDC (the power supply will have no effect).



NOTE. The +24 VDC AC adapter does not override the battery voltage! Substitute your own power supply with a voltage of +45 to 60 VDC to override the +42 VDC alkaline battery packs.

Batteries should be replaced when the voltage falls below 30 VDC (measured across the battery connector under no-load conditions).



NOTE. Battery replacement induces both single and double cycle compass errors. The compass accuracy should be verified after replacing the battery pack. The compass does not have to be recalibrated if the compass verification passes specification.

These compass effects can be avoided by using an external battery pack. The external battery housing holds two batteries, and can easily be replaced on-site. If properly used, no compass calibration will be required. It provides an option for extended ADCP deployments.

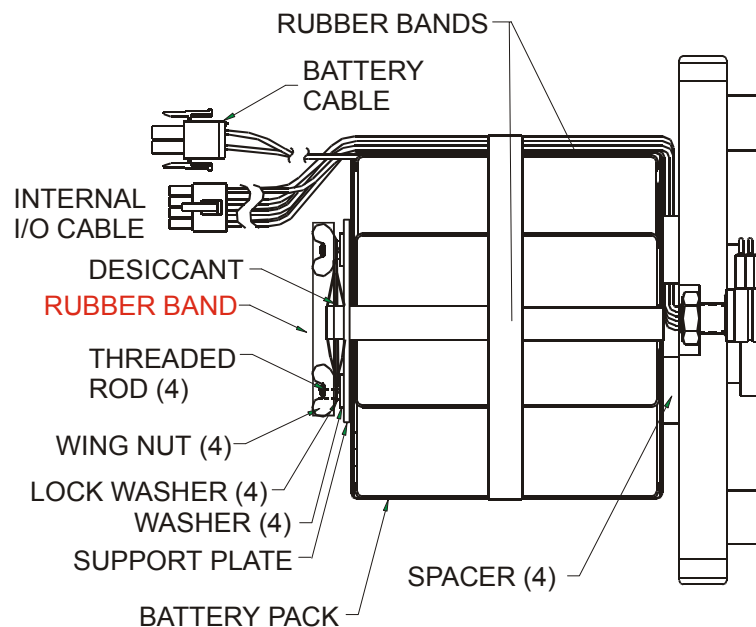


Figure 4. Battery Pack Overview

CAUTION. The Workhorse Sentinel battery pack is held in place by four sets of washers, lock washers, and wing nuts. If the wing nuts are not tight, the assembly of washers and wing nut can become loose and eventually fall onto the PIO board. **This has caused the PIO board to short out.** Place a rubber band around the wing nuts to help hold them in place.



3.4 Flash Memory Card Overview

Flash memory cards are available in 16, 20, 40, 85 and 220-MB cards. The internal recorder holds two cards for a maximum of 440 MB of recording space. The PC Card recorder is located on the Digital Signal Processor (DSP) board inside the Workhorse's electronics. To recover data, the card can be removed and used in a personal computer (PC), or left in the Workhorse, and accessed by using *WinSC* (see the [WinSC User's Guide](#)).

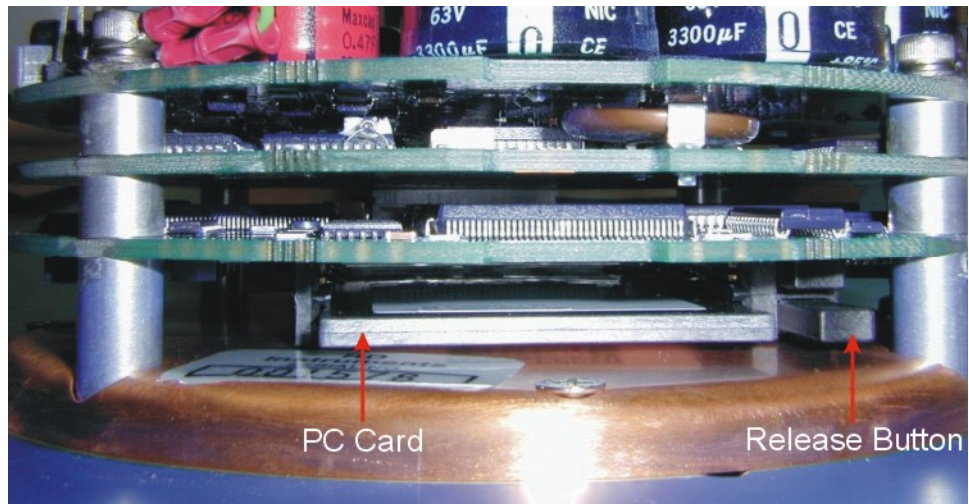


Figure 5. Memory Card Overview

3.5 Spare Parts

The following parts are included in the spare parts kit.

Table 4: Spare Parts

Description	Part number
O-ring, face	2-260
Desiccant, sealed bag	DES3
Lubricant, silicone, 5.3 oz, Dow-Corning	DC-111
Fuse, 3.0 Amp, 250V	GMA-3A

4 WorkHorse Care

This section contains a list of items you should be aware of every time you handle, use, or deploy your WorkHorse. *Please refer to this list often.*

4.1 General Handling Guidelines

- Never set the transducer on a hard or rough surface. **The urethane faces may be damaged.**
- Always remove the retaining strap on the end-cap underwater-connect cable and dummy plug when disconnecting them. **Failure to do so will break the retainer strap.**
- Do not apply any upward force on the end-cap connector as the I/O cable is being disconnected. **Stressing the end-cap connector may cause the ADCP to flood.** Read the [Maintenance guide](#) for details on disconnecting the I/O cable.
- Do not expose the transducer faces to prolonged sunlight. **The urethane faces may develop cracks.** Cover the transducer faces on the Workhorse if it will be exposed to sunlight.
- Do not expose the I/O connector to prolonged sunlight. **The plastic may become brittle.** Cover the connector on the Workhorse if it will be exposed to sunlight.
- Do not store the ADCP in temperatures over 75 degrees C. **The urethane faces may be damaged.** Check the temperature indicator inside the shipping case. It changes color if the temperature limit is exceeded.
- Do not scratch or damage the O-ring surfaces or grooves. **If scratches or damage exists, they may provide a leakage path and cause the ADCP to flood.** Do not risk a deployment with damaged O-ring surfaces.
- Do not lift or support a WorkHorse by the external I/O cable. **The connector or cable will break.**

4.2 Assembly Guidelines

- Read the [Maintenance guide](#) for details on WorkHorse re-assembly. Make sure the housing assembly O-rings stay in their groove when you re-assemble the WorkHorse. Tighten the hardware as specified. **Loose, missing, stripped hardware, or damaged O-rings can cause the WorkHorse transducer to flood.**

- Place a light amount of DC-111 lubricant on the end-cap connector pins (rubber portion only). **This will make it easier to connect or remove the I/O cable and dummy plug.**
- Do not connect or disconnect the I/O cable with power applied. An exception to this is the external battery case. The external battery case connector is always “hot” when batteries are installed. When you connect the cable with power applied, you may see a small spark. **The connector pins may become pitted and worn.**
- The WorkHorse I/O cable is *wet mate-able*, not *under water mate-able*.

4.3 Deployment Guidelines

- Align the compass whenever the battery pack or recorder module is replaced, or when any ferrous metals are relocated inside or around the WorkHorse housing. **Ferro-magnetic materials affect the compass.**
- The AC power adapter is not designed to withstand water. **Use caution when using on decks in wet conditions.**
- Avoid using ferro-magnetic materials in the mounting fixtures or near the Workhorse. **Ferro-magnetic materials affect the compass.**

5 Setup the WorkHorse Sentinel ADCP

Figure 6 illustrates how to connect the WorkHorse cables and adapters on your workbench. The internal battery plugs into a connector on the top circuit board.



NOTE. When you first receive your WorkHorse, the battery is not installed.

You will need a container of water large enough to submerge the WorkHorse's transducer head into during testing (two to three inches of water is sufficient). Testing the WorkHorse out of water may cause some tests to fail but causes no harm to the WorkHorse.

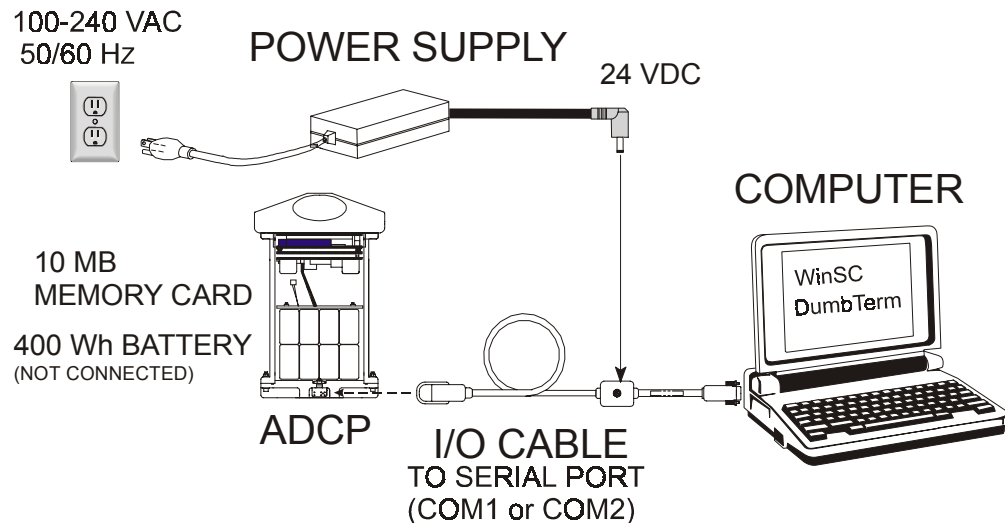


Figure 6. WorkHorse Sentinel Connections

5.1 Serial Communication

The standard communications settings are RS-232, 9600-baud, no parity, 8 data bits and 1 stop bit. Self-contained applications receive no benefit from setting a faster baud rate.

You can set the WorkHorse for baud rates other than 9600 baud. If you make the new baud rates permanent, *WinSC* will search for the correct settings, (and will try COM2 but not COM3 or COM4). If you tell *WinSC* these settings, you will save time required for searching. If you have trouble connecting to the WorkHorse, use *WinSC's* **Auto Detect**, which searches for the WorkHorse's current serial port and baud rate.

RS422. The WorkHorse Sentinel is normally set for RS232, but it can be changed to RS422 by changing a switch setting. The switch is in plain view on the top circuit board, near the cable connectors. Its settings are plainly

marked on the board. If the serial protocol is set for RS422 and your computer expects RS232, you will need an RS232-RS422 adapter between the WorkHorse cable and your computer. This user's guide assumes that you use RS232. There is no reason to use RS422 for Self-Contained operation.

5.2 What if the WorkHorse Does Not Respond

If your WorkHorse does not respond, check the serial port, cables, AC power, and battery connection. If necessary, refer to the [Troubleshooting Guide](#) in the WorkHorse technical manual.



NOTE. WorkHorse Sentinels are shipped from the factory without the battery installed in the housing. Be sure to install the battery before deployment!

6 Software

RDI has utility programs to help you set up, use, test, and trouble-shoot your WorkHorse ADCP. Each program has a help file that you can print, or you can view help while running the program.

Table 5: WorkHorse Software

Program Name	Description
<i>DumbTerm</i>	Windows ADCP communication program. Use this program to "talk" to the ADCP and to run test script files. <i>DumbTerm</i> is included on the RDI Tools CD. For detailed information on how to use <i>DumbTerm</i> , see the RDI Tools User's Guide .
<i>WinADCP</i>	Gives users a visual display of the entire set of data. You can zoom in on a portion of the data for closer analysis and you can export data to text or MatLab files. For detailed information on how to use <i>WinADCP</i> , see the WinADCP User's Guide .
Documentation CD	The Documentation CD has an Adobe Acrobat® (*.pdf) electronic version of the WorkHorse Technical Manual. Use the Documentation CD to search for information. For detailed information on how to use Adobe Acrobat® and the Documentation CD, see the Read This First guide .



NOTE. See "[WorkHorse Sentinel ADCP Applications](#)," page 2 to see what software package to use for collecting data.

6.1 System Requirements

The WorkHorse software requires the following:

- Windows 95®, Windows 98®, or Windows® NT 4.0 with Service Pack 4 installed
- Pentium class PC 233 MHz (350 MHz or higher recommended)
- 32 megabytes of RAM (64 MB RAM recommended)
- 6 MB Free Disk Space (20 MB recommended)
- One Serial Port (two High Speed UART Serial Ports recommended)
- Minimum display resolution of 800 x 600, 256 color (1024 x 768 recommended)

6.2 Software Installation

To install the WorkHorse software, do the following.

- a. Insert the compact disc into your CD-ROM drive and then follow the browser instructions on your screen. If the browser does not appear, complete Steps “b” through “d.”
- b. Click the **Start** button, and then click **Run**.
- c. Type **<drive>:launch**. For example, if your CD-ROM drive is drive D, type **d:launch**.
- d. Follow the browser instructions on your screen

6.3 Utility Software

The following DOS programs (on the RDI Tools CD) have been provided to supplement features not yet implemented into the Windows environment. RDI will incorporate these features in future releases. These programs have been installed to the directory C:\Program Files\Rd Instruments\Utilities.

Table 6: WorkHorse DOS Utility Software

Program Name	Description
BBLIST	Executable program that can be operated through the Windows environment. This program will display binary data in tabular format as well as convert the data into an ASCII file.
BBBATCH	Automatically converts a named binary data set to a named ASCII data set using an existing format file. Use this program to convert binary files unattended through a DOS batch file.
BBCONV	Executable program that cannot be operated through the Windows environment. Removes user selected data from binary files and stores the information into ASCII comma delimited format. See BCONV.DOC for decoder file format.
BBMERGE	Executable program that cannot be operated through the Windows environment. BBMERGE merges ASCII comma delimited format data described by a decoder (.DEC) file into the raw BroadBand ADCP data file "infilename", resulting in an output ADCP data file called "outfilename". See BCONV.DOC for decoder file format.
BBSUB	Executable program that cannot be operated through the Windows environment. BBSUB starts copying ensembles from 'infilename' to 'outfilename' starting with the user specified "Start" and "End" ensemble number. This is intended to allow users to subsection binary data files.
SS	Executable program that can be operated through the Windows environment. SS allows you to quickly calculate the speed of sound in the water.
SURFACE	Executable program that cannot be operated through the Windows environment. Surface estimates the range from the ADCP to the water surface or bottom from the echo intensity data. This program does not change the original data. It creates a text file with the estimated ranges. Intended for customers to estimate where to cut off their data.
CHECKDAT	Executable program that cannot be operated through the Windows environment. CHECKAT will scan a data file for missing ensembles, ensemble number out of order, bad checksum ensembles and ensembles with bit errors. If the DOS redirect command (> symbol) is used then the output will be placed into a file.
C++ Code Library	The C++ Code library has been provided to help you in the creation of your own programs. These files are provided as is and in general are not supported. Use at your own discretion. The files are located in the directory: C:\Program Files\Rd Instruments\Utilities\C_Code.

6.4 WorkHorse Software Philosophy

Self-contained data collection involves a series of independent steps. Using *WinSC's* Deployment Wizard will ensure that the ADCP is setup correctly.

- Test your WorkHorse (*WinSC*)
- Plan your deployment (Plan can be run separately or run inside *WinSC*)
- Transfer your “plan” into the WorkHorse and start data collection (*WinSC*)
- Transfer the data from the WorkHorse’s PC Card recorder to your computer (*WinSC*)
- Verify data integrity (*WinSC*)
- When you are satisfied that your recorded data is safely backed up, erase the WorkHorse PC Card recorder (*WinSC*)
- Display and process your data (*WinADCP* and *WinSC*)

The WorkHorse software is designed to allow you to set up your WorkHorse to get the best possible data without having to understand and use WorkHorse commands. *Plan* creates *command files*. These files hold the commands that will be sent to the WorkHorse to start the deployment.

6.5 File Naming Conventions

The WorkHorse software gives you a complete record of information that might help you understand your data. To help you associate these files with your data, they use the same deployment name. Be careful not to lose these files!



NOTE. Choose and use Deployment Names carefully: they help you identify and organize all the data and log files associated with each deployment.

Raw Data files produced by *WinSC* have the following filename format:

DeployName000.nnn

Where:

DeployName	is a user-entered name for the deployment (up to 128 characters),
000	is the deployment number (changes with each stop/restart),
nnn	is the recorder card number, which is incremented when the recorder card is full (.000 = card one, .001 = card two)

The file extensions have the following meaning:

- DeployName.WHP** WorkHorse command file created by *Plan*.
- DeployName.SCL** Deployment log file created by *WinSC*. This file contains all of the commands sent to the WorkHorse (from *.WHP) and the WorkHorse's system information before deployment.
- DeployName.DPL** Binary deployment status file. This file keeps track of which steps were completed when using the deployment wizard.

7 Batteries and Power

All WorkHorse tests and operations work equally well using internal battery packs, external battery packs, or the AC power adapter.

7.1 AC Adapter

The AC Adapter runs on any standard AC power and supplies 24 VDC to run the WorkHorse when the batteries are not connected. Substitute your own power supply with a voltage of 45 to 60 VDC to override the 42 VDC alkaline battery packs.



NOTE. The 24 VDC AC adapter does not override the battery voltage!



NOTE. If you collect data using the AC adapter, the profiling range is reduced compared with standard battery voltage.



NOTE. Transmitted power increases or decreases depending on the input voltage. A fresh battery provides +42 VDC. Batteries spend most of their life at a nominal voltage of +33 VDC.

The transmitted power is decreased 1 DB if the input voltage drops from 42 VDC to 33 VDC. For a 300kHz WorkHorse ADCP, each DB will result in a decrease in range of one default depth cell.

7.2 Alkaline Battery Pack Capacity

RDI specifies its battery packs to have 400 watt-hours (Wh) of usable energy at 0°C.

7.3 External Battery Pack

The External Battery Pack holds two 400 watt-hours (Wh) batteries. To avoid affecting the compass, place the external battery case at least 30-cm away from the Sentinel WorkHorse.

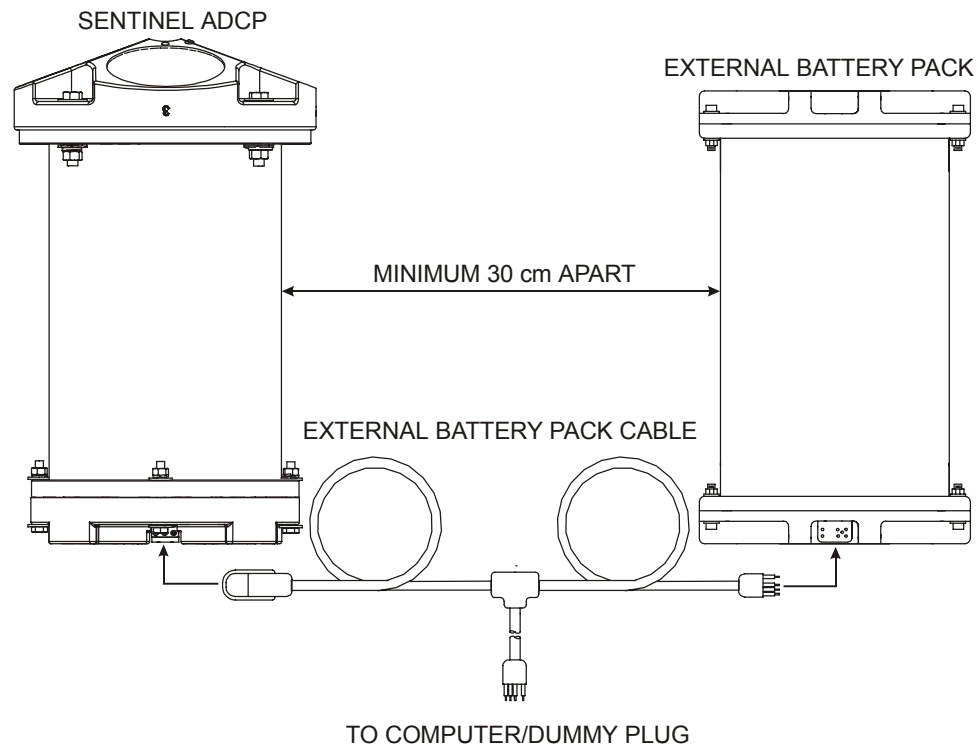


Figure 7. External Battery Pack Connection

7.4 Reusing Alkaline Batteries

Because many deployments will use only a fraction of the capacity of a single battery pack, you may wish to reuse your battery packs. With experience, you should be able to reuse batteries successfully, but keep in mind the following:

- Standard WorkHorse battery packs hold 28 ‘D-cell’ alkaline batteries with a voltage, when new, of approximately 42 VDC.
- When the capacity of a battery pack is 50% used, the voltage (measured across the battery connector under no-load conditions) falls to approximately 32-35 volts. However, keep in mind that this voltage is not an accurate predictor of remaining capacity.
- Batteries should be replaced when the voltage falls below 30 VDC (measured across the battery connector under no-load conditions).
- Battery packs differ from one to another.
- If your deployment is important, weigh the cost of a new battery pack against the risk of lost data.

7.5 Bench-Top Battery Power Requirements

While the WorkHorse is awake and responding to commands, it consumes approximately 2.2 watts. A single internal battery pack supplies this power level for about five days. When the WorkHorse is asleep, it consumes less than one mw. A standard battery pack supplies sleep power for years. At every opportunity, the WorkHorse will “sleep” to conserve power while deployed.

7.6 Operation Modes

The WorkHorse has two modes of operation: *command mode*, and *ping mode* (also referred to as “Deployment Saver” Mode). Depending on what mode the ADCP is in; it will go either to sleep or to resume pinging.

In the Command Mode

Whenever you wake up your WorkHorse, power dissipation increases from less than one mw to around 2.2 w. If you leave the WorkHorse in command mode without sending a command for more than five minutes, the WorkHorse automatically goes to sleep. This protects you from inadvertently depleting batteries.

In the Ping Mode

After you send commands to the WorkHorse that tells it to start collecting data, the WorkHorse goes into deployment saver mode. If power is somehow removed and later restored, the WorkHorse simply picks up where it left off and continues to collect data using the same setup.

8 Testing Your WorkHorse

Use the following steps to test the ADCP.

- a. Connect and power up the ADCP as shown in [Figure 6, page 11](#).
- b. Start *WinSC* (for help on using *WinSC*, see the [WinSC User's Guide](#))
- c. At the **Welcome** screen, click **Test an ADCP**. Click **OK**. This will run the pre-deployment tests Deploy?, System?, TS?, PS0, PA, PC2, RS, and PC1. The results of the tests will be printed to the screen and saved to the log file (*.scl).

[Table 7, page 19](#) lists the tests *WinSC* runs, gives you guidelines for running the tests, and tells you what the results mean.

Table 7: WorkHorse ADCP Tests

Test	Guidelines	Results
Deploy?	This will show a list of the deployment commands and their current setting.	Verify the command settings.
System?	This will show a list of the system commands and their current setting.	Verify the command settings.
TS?	This will show the current setting of the real time clock.	Verify the clock setting.
PS0	Displays system parameters.	Verify the information is consistent with what you know about the setup of your system.
PA	Extensive pre-deployment test that tests the signal path and all major signal processing subsystems. This test may not pass unless the WorkHorse transducer face is immersed water.	All tests must pass.
PC2	Continuously updates sensor display. Rotate and tilt WorkHorse and watch the readings on the display change.	Satisfy yourself that the readings make sense.
RS	This will show the amount of used and free recorder space in megabytes.	Verify the recorder space is sufficient for the deployment.
PC1	Beam continuity test. Follow instructions to rub each beam in turn to generate a noise signal the WorkHorse uses to verify the transducer beam is connected and operational.	All beams must pass.

9 Compass Calibration

The main reason for compass calibration is battery replacement. Each new battery carries a different magnetic signature. The compass calibration algorithm corrects for the distortions caused by the battery to give you an accurate measurement. You should be aware of the following items:

- We recommend against calibrating the WorkHorse while on a ship. The ship's motion and magnetic fields from the hull and engine will likely prevent successful calibration.
- If you think your mounting fixture or frame has some magnetic field or magnetic permeability, calibrate the WorkHorse inside the fixture. Depending on the strength and complexity of the fixture's field, the calibration procedure may be able to correct it.



NOTE. If you will deploy your WorkHorse looking up, calibrate it looking up. If you will deploy it looking down, calibrate it looking down.

9.1 Preparing for Calibration

- a. Place the WorkHorse on a piece of strong cardboard on top of a smooth wooden (non-magnetic) table. If a wooden table is not available, place the WorkHorse on the floor as far away from metal objects as possible. Use the cardboard to rotate the WorkHorse during calibration—this way you will not scratch the WorkHorse.
- b. Connect the WorkHorse as shown in “[Setup the WorkHorse Sentinel ADCP,](#)” page 11.
- c. Start *DumbTerm*. See the [RDI Tools User's Guide](#) for assistance on using *DumbTerm*.

9.2 Compass Calibration Verification

Compass calibration verification is an automated built-in test that measures how well the compass is calibrated. The procedure measures compass parameters at every 5° of rotation for a full 360° rotation. When it has collected data for all required directions, the WorkHorse computes and displays the results.



NOTE. Verify the compass if you have just replaced the battery, memory module, or any ferrous metals is relocated inside or around the WorkHorse housing.

Start the test with the AX-command and follow the instructions. **Place the ADCP in the same orientation as it will be deployed.** The WorkHorse

can be vertical (it can rest on its end cap), or it can be tilted (it could rest on a transducer face). Whatever its tilt, the tilt must remain constant as you rotate the WorkHorse. When prompted, rotate the WorkHorse smoothly and slowly. Pay particular attention to the Overall Error. For example;

```
HEADING ERROR ESTIMATE FOR THE CURRENT COMPASS CALIBRATION:
OVERALL ERROR:
  Peak Double + Single Cycle Error (should be < 5()): ( 1.55(
DETAILED ERROR SUMMARY:
  Single Cycle Error: ( 1.54(
  Double Cycle Error: ( 0.07(
  Largest Double plus Single Cycle Error: ( 1.61(
  RMS of 3rd Order and Higher + Random Error: ( 0.31(
```

If the overall error is less than 5°, the compass does not require alignment. You can align the compass to reduce the overall error even more (if desired).



NOTE. WinSC does the compass verification as part of the Deployment Wizard (see [“Verify the Compass,” page 30](#)).

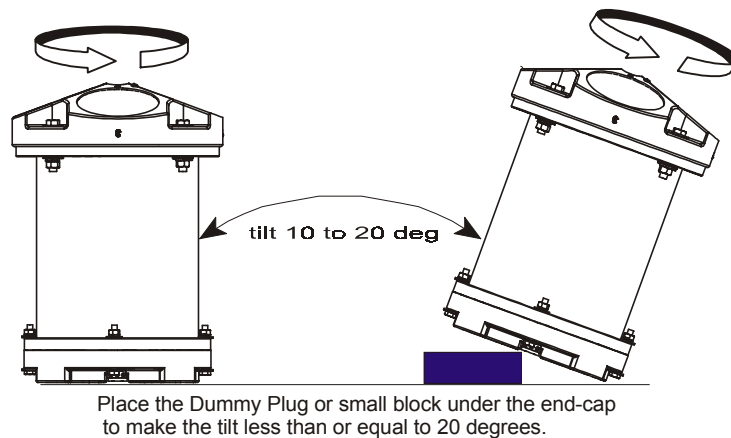
9.3 Compass Calibration Procedure

The built-in automated compass calibration procedure is similar to the alignment verification, but requires three rotations instead of one. The WorkHorse uses the first two rotations to compute a new calibration matrix and the third to verify the calibration. It will not accept the new matrix unless the calibration was carried out properly, and it asks you to verify that you want to use the new calibration if it is not as good as the previous calibration. While you are turning the WorkHorse for the two calibration rotations, the WorkHorse checks the quality of the previous calibration and displays the results. It compares these results with the results of the third calibration rotation.

There are two compass calibrations to choose from; one only corrects for hard iron while the other corrects for both hard and soft iron characteristics for materials rotating with the ADCP. Hard iron effects are related to residual magnetic fields and cause single cycle errors while soft iron effects are related to magnetic permeability that distorts the earth’s magnetic field and causes double cycle errors. In general, the hard iron calibration is recommended because the effect of hard iron dominates soft iron. If a large double cycle error exists, then use the combined hard and soft iron calibration.

- a. Start *DumbTerm*.
- b. Start the test with the AF-command and choose the calibration type.
- c. Place the ADCP in the same orientation as it will be deployed.
- d. When prompted, rotate the WorkHorse slowly 360 degrees.

- e. The second rotation requires the WorkHorse to be tilted on an adjacent beam. Follow the on-screen instructions to orient the unit correctly. Tilt an upward-looking WorkHorse with a block under one side of the end cap. A 35-mm block gives you an 11° tilt. When prompted, rotate the WorkHorse slowly 360 degrees.
- f. If the calibration procedure is successful, it records the new calibration matrix to nonvolatile memory. The WorkHorse will not change its matrix unless the calibration is properly carried out.
- g. If the calibration procedure is not successful, return your WorkHorse to the original factory calibration, by using the AR-command. Try using the AR-command if you have trouble calibrating your compass. In some circumstances, a defective compass calibration matrix can prevent proper calibration.



UPWARD DEPLOYMENT

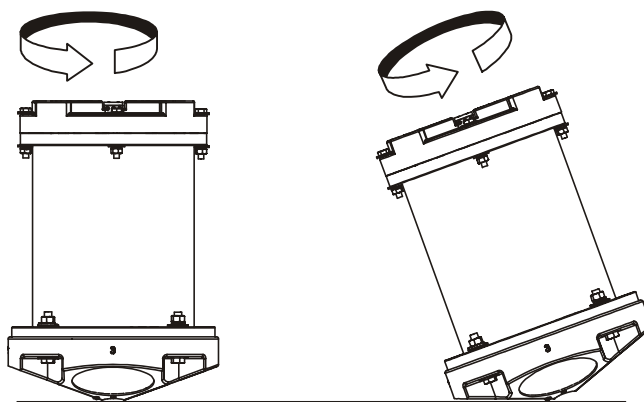


Figure 8. Compass Alignment

10 Internal Pressure Sensor

If you have the optional pressure sensor installed in your ADCP, use the AZ-command to zero out the pressure sensor at the deployment site.

- a. Connect and apply power to the system as described in “[Setup the WorkHorse Sentinel ADCP](#),” page 11.
- b. Start *DumbTerm* and wakeup the ADCP (press the **END** key).
- c. Type **AZ** and press the **Return** key.
- d. Exit *DumbTerm*.

10.1 Pressure Sensor Maintenance

In order to read the water pressure (depth), water must be able to flow through the copper screw on the pressure sensor. Antifoulant paint will block the sensor's port (a small hole that is drilled through the copper screw). You should tape off the screw during anti-fouling paint application.

This means that the sensor port is not fully protected from bio fouling. The sensor port is surrounded by the antifouling paint, but bio fouling may build up on the screw, and eventually clog the sensor port. However, most organisms do not seem to find the small amount of unpainted surface attractive. If it is logistically possible to periodically inspect/clean the pressure sensor screw, it is highly recommended. This tradeoff situation must be analyzed for individual deployments. Unfortunately, the location of the deployment site usually dictates action in this regard.



NOTE. The pressure sensor is optional. It may not be included on your system.



CAUTION.

The pressure sensor is filled with silicone oil. Never poke a needle or other object through the copper screw while the screw is installed over the pressure sensor. You will perforate the sensor, causing it to fail.

Do not remove the cover disc or attempt to clean the surface of the pressure sensor. The diaphragm is very thin and easy to damage.

Do not remove the pressure sensor. It is not field replaceable.

11 Deployment Guide

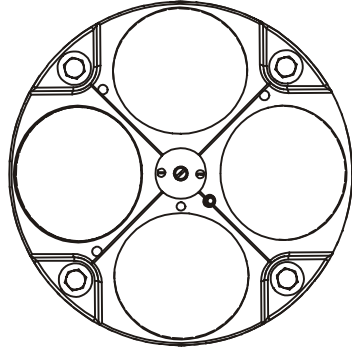
Use the following steps and the Quick Reference card to setup the WorkHorse for a Self-Contained deployment.

11.1 Deployment Checklist

- ❑ Test the ADCP using *WinSC*
- ❑ Seal the ADCP for deployment
 - ❑ Install new o-rings; use silicone lubricant
 - ❑ Use fresh desiccant (2 bags) inside ADCP
 - ❑ Install and connect the battery
 - ❑ Check Recorder PC card is installed
- ❑ Visually inspect the ADCP
 - ❑ Check the transducer head condition
 - ❑ Check the zinc anode condition (High Pressure Housing only)
 - ❑ Check the housing paint condition (High Pressure Housing only)
 - ❑ All mounting hardware installed
 - ❑ Transducer faces clean and free from defects
- ❑ Verify the compass alignment using *WinSC*; if necessary, re-calibrate
- ❑ Check recorder status using *WinSC*
- ❑ Are biofouling precautions needed?
- ❑ Verify battery and recorder space requirements
- ❑ Zero pressure sensor (optional) at deployment site with AZ-command
- ❑ Install the dummy plug; use silicone lubricant

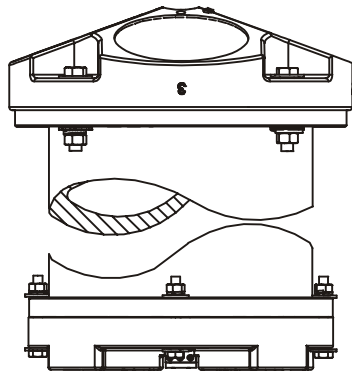


VISUALLY INSPECT THE ADCP



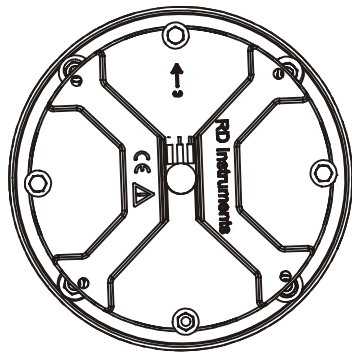
URETHANE TRANSDUCER FACES
REMOVE BARNACLES AND
CHECK FOR CRACKS

TRANSDUCER HEAD
CHECK O-RINGS
AND MOUNTING
HARDWARE ARE
INSTALLED



HOUSING
CHECK FOR
CRACKS

**ELECTRONICS AND
BATTERY PACKS**
CHECK MEMORY CARD
AND BATTERIES ARE
INSTALLED



END-CAP
CHECK O-RINGS AND
MOUNTING HARDWARE
ARE INSTALLED

I/O CABLE CONNECTOR
INSTALL DUMMY PLUG

Figure 9. Visual Inspection before Deployment

11.2 Prepare the ADCP for Deployment

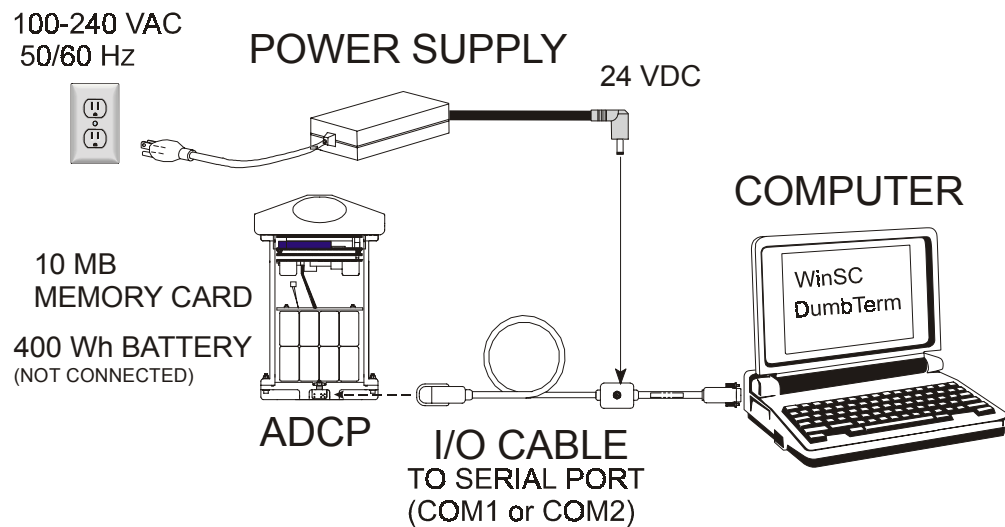


Figure 10. Prepare the ADCP

Things to remember while preparing the ADCP.

- Use the Deployment Checklist to verify that the ADCP is ready for the deployment.
- Test the ADCP using *WinSC*. Some tests will fail if the ADCP is not placed in water while the tests are being run.
- Use the AC power supply while testing the ADCP. Save the batteries for deployments.
- *Desiccant* lasts a year at specified WorkHorse deployment depths and temperatures. Remember that desiccant rapidly absorbs moisture from normal room air. Replace the desiccant whenever the WorkHorse housing or end-cap is removed.
- Verify the compass calibration.

11.3 Use the Deployment Wizard

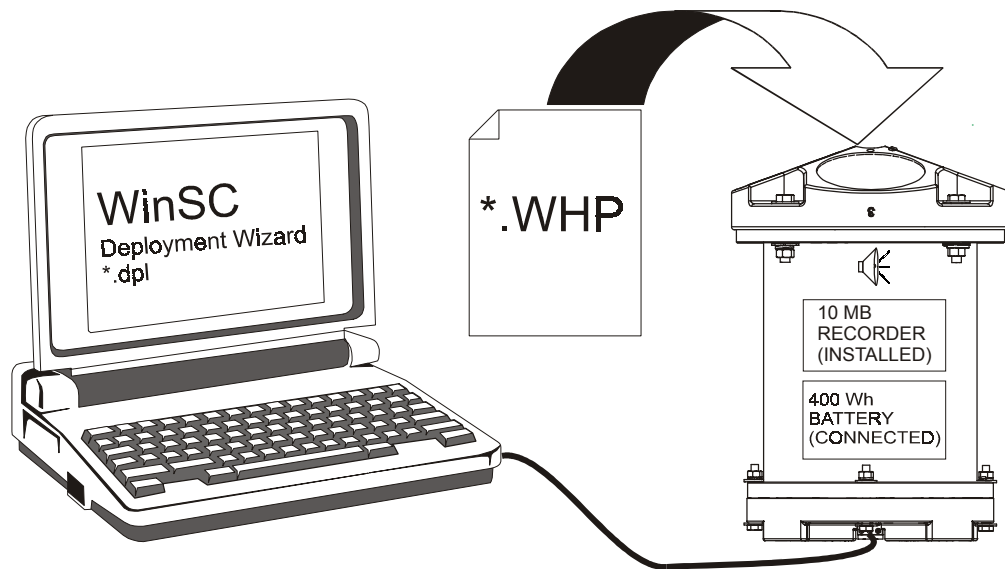


Figure 11. Using the Deployment Wizard

There are five steps the **Deployment Wizard** helps lead you through; Planning, Setting the ADCP's clock, Compass Verification, Pre-Deployment Tests, and sending/verifying the commands to the ADCP. RDI highly recommends using the wizard each time you deploy the ADCP. The deployment wizard will start whenever a new deployment file is created. To use the deployment wizard, do the following.

- a. Connect and power up the WorkHorse.
- b. Start *WinSC*.
- c. Start the Deployment Wizard by doing *one* of the following.
 - At the **Welcome** screen, click **Configure an ADCP for a New Deployment**. Click **OK**.
 - Click **File, New Deployment** (the deployment wizard will start automatically).
 - If you are working on an open deployment file (*.dpl), on the **Functions** menu, click **Deployment Wizard**.



NOTE. Choose and use Deployment Names carefully: they help you identify and organize all the data and log files associated with each deployment.

11.3.1 Plan the Deployment

The first step in the Deployment Wizard is planning. When you click **Next**, the program *Plan* will start. For more information on *Plan*, see the [WinSC User's Guide](#). If you want to skip this step, check the **Skip** box, or click **Next** to begin using *Plan*.

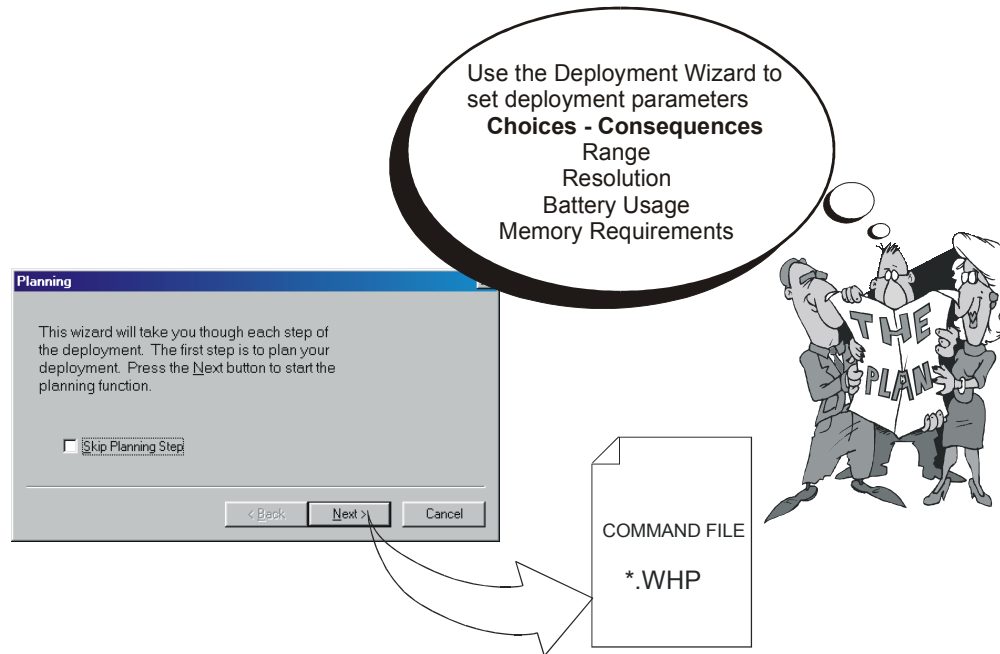


Figure 12. Plan the Deployment

Things to remember while using *Plan*.

- *Plan* can be run separately or within *WinSC*.
- *Plan* allows you to make choices and see the consequences for the *entire* deployment. Once you decide on the optimum deployment setup, it creates a *Command File* with the commands you will later use to set up the WorkHorse for deployment.
- *Plan* assumes that the WorkHorse is set to its factory defaults (it includes commands in the Command File that put the WorkHorse back to the factory defaults), and it adjusts only a subset of the available commands. Expert users may add other commands to the Command File.
- *Uniform sample times*. Start sample intervals on the minute by using a delayed start up. Instead of having your 10-minute sample intervals start at 15:36:47, delay startup a few minutes to have samples start at 15:40:00.

11.3.2 Set the ADCP's Clock

The second step in the Deployment Wizard will set the ADCP's clock to the computer's time and date using the TS-command. For more information on the TS-command, see the [Command and Output Data Format Guide](#). If you want to skip this step, check the **Skip** box or click **Next** to begin setting the clock.



NOTE. *WorkHorse time* is set from your computer's time. Be sure your computer is set to the time appropriate for your deployments before you use *WinSC* to start data collection.

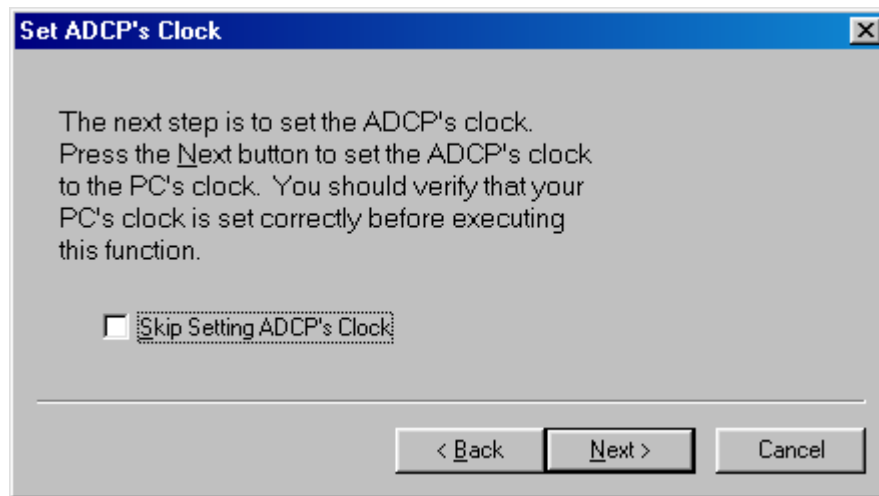


Figure 13. Deployment Wizard – Setting the Clock

11.3.3 Verify the Compass

The third step in the Deployment Wizard will verify the compass using the AX-command. For more information on the compass verification, see [“Compass Calibration Verification,” page 20](#). If you want to skip this step, check the **Skip** box or click **Next** to begin verifying the compass.

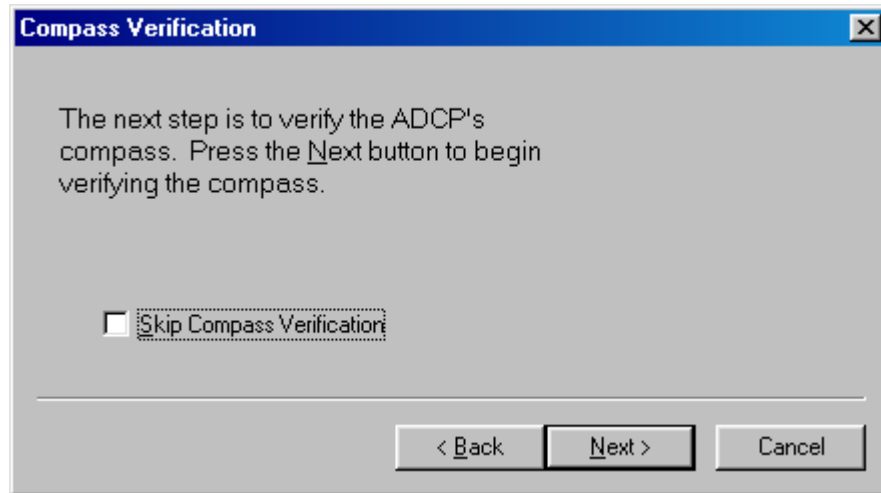


Figure 14. Deployment Wizard – Compass Verification

11.3.4 Run the Pre-Deployment Tests

The fourth step in the Deployment Wizard will run the pre-deployment tests Deploy?, System?, TS?, PS0, PA, PC2, RS, and PC1-commands. For more information on how to test your ADCP, see [“Testing Your WorkHorse,” page 18](#). If you want to skip this step, check the **Skip** box or click **Next** to begin the pre-deployment tests.

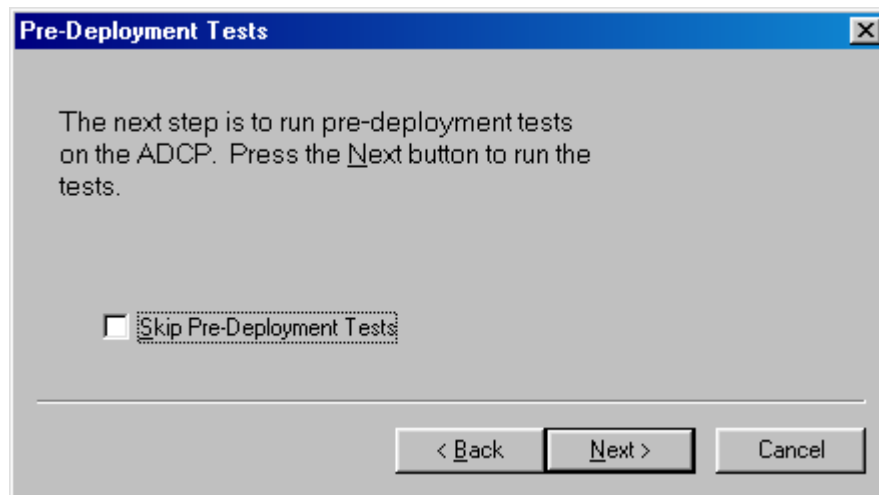


Figure 15. Deployment Wizard – Test the ADCP

11.3.5 Send the Commands

The fifth and final step in the Deployment Wizard will send the commands from the command file to the ADCP. Click **Next** to send the commands. When the commands have been sent to the ADCP, you should see a message “*You have successfully deployed the ADCP.*” Click **OK**.



NOTE. If you have created a new deployment file, you will be prompted to name the deployment. Choose and use Deployment Names carefully: they help you identify and organize all the data and log files associated with each deployment.

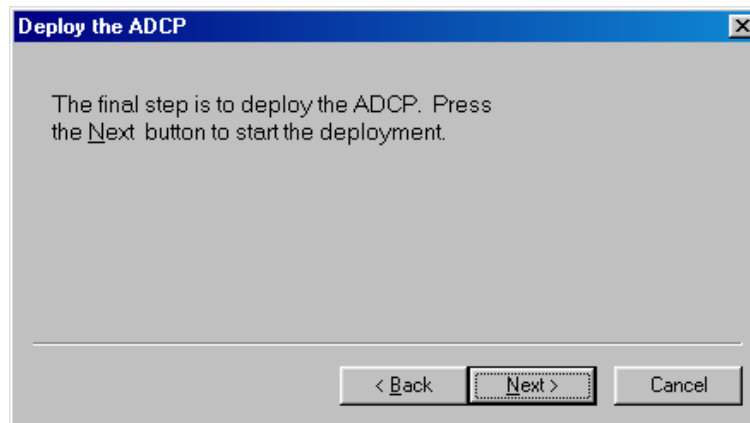


Figure 16. Deployment Wizard – Send the Commands

- The WorkHorse must be using battery power and be sealed, ready for deployment.
- *Ping beeps.* Whenever the WorkHorse pings, an internal beeper makes an audible beep. The beep consumes negligible energy and tells you the WorkHorse is pinging. If your command file has a Time of First Ping command, the ADCP will wait until that time to begin pinging, and therefore you will not hear it beep.
- View the deployment log file. This file shows all of the commands sent to the WorkHorse and the ADCP's response. If a command generates an error message, correct the problem and re-send the commands.



CAUTION

Do not send a break, any other command, or run any other programs once the commands have been sent to the ADCP or your commands will be over-written.

Disconnect the I/O cable before turning off power to the computer. Some computers may send a break signal out the serial ports when shutting down.

11.4 Deploy and Recover the ADCP

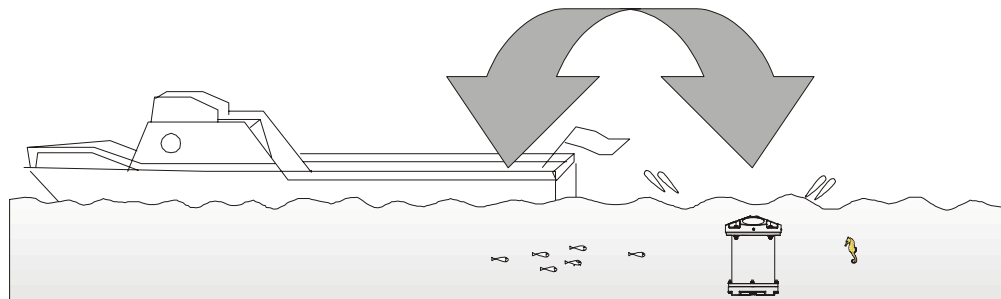


Figure 17. Deploy and Recover the ADCP

Things to remember while deploying the ADCP.

- Data files are *.SCL (deployment log file) and *000.000 (raw data). For example, if your deployment file is named Test.dpl, then the deployment log file will be Test.scl and the raw data file will be Test000.000.
- *Tilts*. The WorkHorse corrects data for tilts as large as 15°, but tilts reduce the effective range and increase the depth of surface contamination.
- *Anti-fouling paint*. You are free to use anti-fouling paint or other anti-fouling material over any surface of the WorkHorse. However, you should consider the following:
 1. Ensure that your coating can be used safely on plastic in general and polyurethane specifically.
 2. Apply it thinly and evenly to the transducer faces.
 3. Poorly applied coatings on the transducer could adversely affect instrument performance.
- *Magnetic material*. Keep the WorkHorse's compass away from magnetic material when you deploy the instrument. Check for magnetic fields by smoothly moving a compass around and near the WorkHorse and its mounting frame.

11.5 Recover the Data

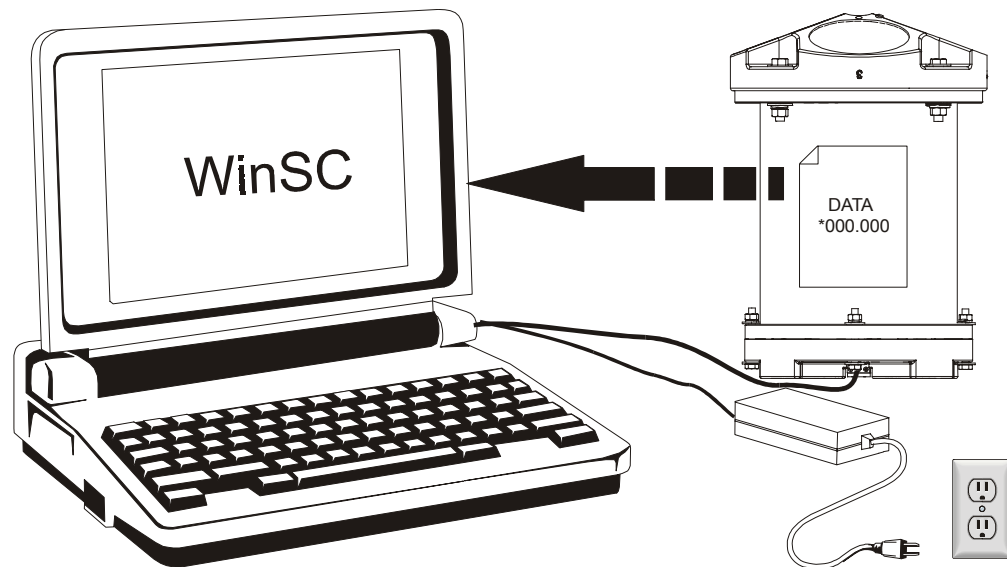


Figure 18. Recover the Data

Data are recorded internally on flash memory PC Cards that can be removed and plugged into many PC computers (especially laptops) and read the same as from any hard drive. If your computer is able to read the WorkHorse's flash card, recovering the data is as simple as copying from one disk to another.

However, be aware that because each computer uses different PC Card drivers, installing PC Card drivers on a laptop is not necessarily easy. If you cannot read the memory cards in your computer, use *WinSC* to read the data through the WorkHorse's serial port. RDI can supply or recommend laptops that can read our PC Card flash cards. Remove the flash cards by pushing a button on one side of the PC Card (see [Figure 5, page 8](#)). PC cards are installed with the label side toward the face of the transducer.

WinSC reads data files from the WorkHorse PC Card recorder via the serial port and saves the data to the computer's hard disk. It uses the WorkHorse's current Deployment Name to create a new directory for the data on the computer's hard drive. You can specify a different destination directory when you run *WinSC*. When *WinSC* is finished, you will find on your PC all the same files that are on your WorkHorse, and in the exact same format. *WinSC* transfers all data files even if you have recorded more than one deployment. *WinSC* transfers data using an error-correcting protocol (YMODEM), so you can be confident about the integrity of the data files.

11.6 Verify and View the Data

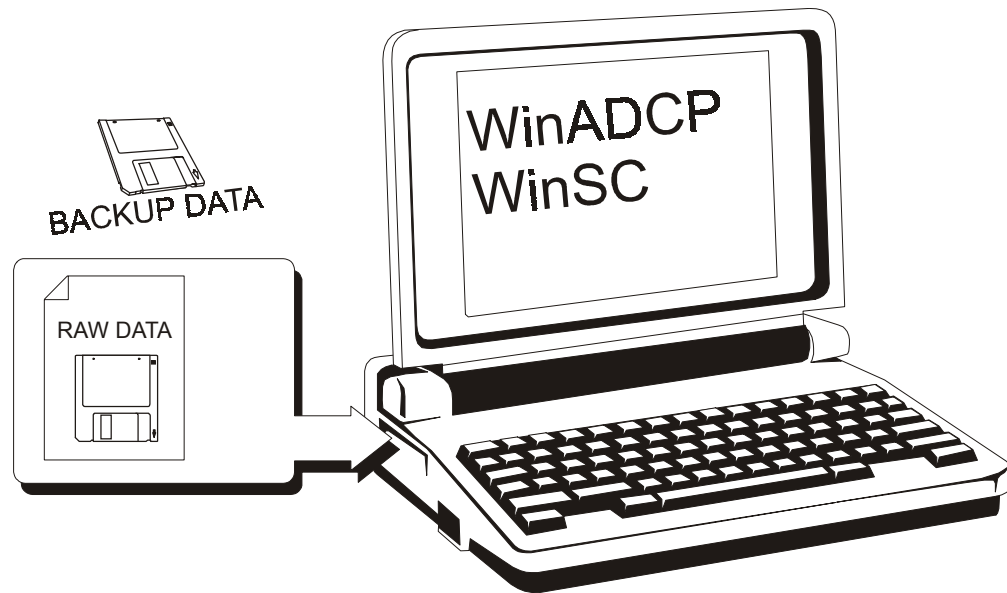


Figure 19. Verify and View the Data

WinSC rapidly scans each ensemble in your data files and checks them for integrity and quality. Its primary purpose is to ensure that you have properly transferred the data to your computer, but it also does some simple error and problem checking. Keep in mind that *WinSC* does not check every possible problem with your data.



NOTE. Check your data carefully and back it up before erasing the WorkHorse's data recorder.

WinADCP plays back data in a variety of formats (i.e. profiles, time series, and color contour plots). To view the data using *WinADCP*, open the raw data file.

To zoom in on the data, hold down the **Space Bar** and then click and hold the **Left mouse button** to create a "rubber band" selection box. When the mouse button is released, the selected portion of the Whole set is marked by a blinking box outline. The blinking box outlines a set of data called the Selected Set.



NOTE. The Whole Set or Sub Set form must be selected (the title bar color is highlighted) before the space bar is pressed.

11.7 Erase the Recorder

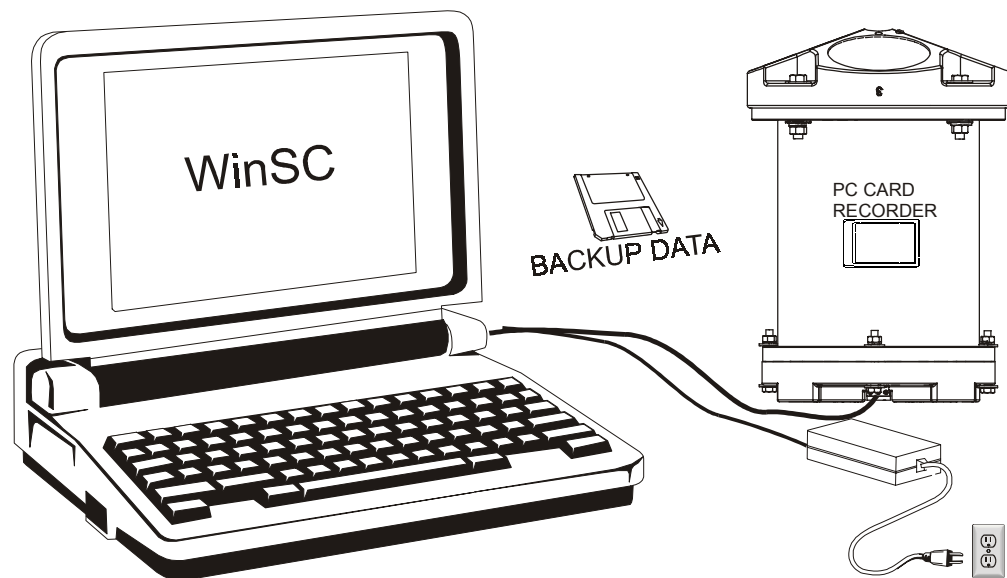


Figure 20. Erase the Recorder

WinSC can be used to erase the data recorder inside the WorkHorse. When instructed, *WinSC* erases all files in the recorder (be sure your data are safely backed up!). If you read the PC Card by putting it into your computer, you may delete the file(s) using the DOS delete command. Before you can delete the file, you must use the DOS attribute command to reset the read-only attribute.

12 Backing Up Data

Once you have recovered the data from your PC Card recorder, you should get in the habit of backing up all data files. Here are several examples of how to backup data.

- Use PKZIP to condense the files and store them on floppy disks. PKZIP has the ability to store large files (span) onto several disks.
- Remove the original PC Card containing data and store it in a safe place. Install another PC Card in its place.
- Backup your data to a CD-RW or other device.
- Download the data to another computer.

13 Reviewing the Data

13.1 'Where' was the Data?

The quickest way to find out the depth of each depth cell is to display your recorded data using *WinADCP*. The velocity display tells you the distance to the center of each cell. The computed distance assumes that the speed of sound is constant from the transducer to the depth cell. The actual distance is proportional to the average sound speed; if the average sound speed is 1% less than the sound speed at the transducer, the distance to the depth cell is 1% less than the displayed distance.

13.2 'When' was the Data?

The time recorded with each data record is the time of the beginning of the first ping of the ensemble. *Plan* sets the ping interval so pings occur uniformly across the ensemble interval (as opposed to putting all the pings at the beginning of the interval). It leaves a few seconds at the end of each ensemble to allow time for data recording. Hence, the average time of the ensemble is midway between the recorded ensemble time and the time of the next ensemble.

13.3 'What' is the Data?

The WorkHorse records velocity data in units of mm/s. Calibration depends on how well the WorkHorse knew the speed of sound (which it computed based on its measured temperature and the salinity value it was given). A salinity error of 5 ppt introduces less than 0.5% velocity error.

14 A Few Principles of Operation

Consult RDI's Primer (ADCP Principles of Operation: a Practical Primer, Second Edition for BroadBand ADCPs) to learn more about WorkHorse principles of operation. The following are a few points from the Primer that may be worth knowing:

- Horizontal velocity measurement accuracy is unaffected by vertical stratification.
- Stratification has negligible affect on the ability of the WorkHorse to penetrate through the water; concentration of suspended particles is the main factor influencing profiling range.
- WorkHorse measurements are automatically corrected for tilts up to $\pm 20^\circ$. In addition to correcting for the beam pointing angles, the WorkHorse maps depth cells to other cells at the same depth.
- If you want to make measurements near the surface from a bottom-mounted WorkHorse, you should minimize the tilt.
- Depth cells are most sensitive to velocities at the center of the depth cell and less sensitive at the top and bottom. This sensitivity is reflected by what we call a 'triangular weighting function'. The details of this weighting function are rarely important for interpretation and use of your data.
- The actual maximum range can be different from the range predicted in *Plan*. *Plan* corrects for range variations caused by temperature and salinity, but it assumes typical scattering conditions. Weak backscatter can sometimes reduce range by a factor of two or more.
- In self-contained deployments, the maximum profiling range decreases with time as the battery voltage falls. This is because transmit power depends on battery voltage. Transmit power is optimized for about 32 volts. RDI's alkaline battery packs start at 42 VDC, but spend most of their useful lives within a few volts of 32 VDC.

15 Technical Support

If you have technical problems with your instrument, contact our field service group in any of the following ways:

RD Instruments

9855 Businesspark Ave.
San Diego, California 92131
(858) 693-1178
FAX (858) 695-1459
Sales - rdi@rdinstruments.com
Field Service - rdifs@rdinstruments.com

RD Instruments Europe

5 Avenue Hector Pintus
06610 La Gaude, France
+33(0) 492-110-930
+33(0) 492-110-931
rdi@rdieurope.com
rdifs@rdieurope.com

Web: www.rdinstruments.com

NOTES